

## Fixed capacitor banks

### 3 phase, Internally Protected Elements

### 240 & 480 Volt, 60 Hz



Suitable for direct compensation where fixed power factor correction is desired.

Features include:

- Dry environmentally safe construction
- Self healing capability
- Patented Internal Protected Elements
- Individual capacitors connected by bus bar
- Indoor, dusttight or raintight enclosure
- NEMA 1, 3R, 12
- Easy mounting
- Easy electrical connection to large terminals
- Convenient grounding lug

#### 240 Volt, 60 Hz — 3 phase

Enclosure size	kvar rating ①	Qty / kvar	Approx. shipping weight (lbs.)	Enclosure type					
				Indoor – NEMA 1		Outdoor – NEMA 3R		Indoor – NEMA 12	
				Catalog number	List price	Catalog number	List price	Catalog number	List price
63	70	2/35	155	F26G70	\$ 1375	F26R70	\$ 1815	F26D70	\$ 1424
	80	1/35, 1/40	155	F26G80	1563	F26R80	1612	F26D80	1612
	90	2/45	155	F26G90	1766	F26R90	1815	F26D90	1815
	100	2/50	155	F26G100	1873	F26R100	1922	F26D100	1922
	110	2/55	155	F26G110	2087	F26R110	2136	F26D110	2136
	120	2/60	155	F26G120	2247	F26R120	2296	F26D120	2296
	130	1/40, 2/45	200	F26G130	2461	F26R130	2510	F26D130	2510
	150	3/50	200	F26G150	2622	F26R150	2671	F26D150	2671
	160	2/80	155	F26G160	2996	F26R160	3045	F26D160	3045
	180	3/60	235	F26G180	3210	F26R180	3259	F26D180	3259
	200	4/50	310	F26G200	3745	F26R200	3794	F26D200	3794
	250	5/50	370	F26G250	4815	F26R250	4864	F26D250	4864
	300	5/60	370	F26G300	5457	F26R300	5506	F26D300	5506

#### 480 Volt, 60 Hz — 3 phase

Enclosure size	kvar rating ①	Qty / kvar	Approx. shipping weight (lbs.)	Enclosure type					
				Indoor – NEMA 1		Outdoor – NEMA 3R		Indoor – NEMA 12	
				Catalog number	List price	Catalog number	List price	Catalog number	List price
63	125	1–55/1–70	125	F46G125	\$ 1301	F46R125	\$ 1350	F46D125	\$ 1350
	130	2/65	125	F46G130	1375	F46R130	1424	F46D130	1424
	140	2/70	125	F46G140	1429	F46R140	1478	F46D140	1478
	150	2/75	125	F46G150	1450	F46R150	1499	F46D150	1499
83	160	2/80	155	F48G160	1520	F48R160	1569	F48D160	1569
	175	2/87.5	155	F48G175	1622	F48R175	1671	F48D175	1671
	180	2/90	155	F48G180	1734	F48R180	1783	F48D180	1783
	200	2/100	155	F48G200	1841	F48R200	1890	F48D200	1890
63	220	1–70/2–75	200	F46G220	1980	F46R220	2029	F46D220	2029
	225	3/75	200	F46G225	2082	F46R225	2131	F46D225	2131
83	240	3/80	235	F48G240	2162	F48R240	2211	F48D240	2211
	250	1–90/2–80	235	F48G250	2328	F48R250	2377	F48D250	2377
	260	2–90/1–80	235	F48G260	2461	F48R260	2510	F48D260	2510
	280	1– 00/2–90	235	F48G280	2568	F48R280	2617	F48D280	2617
	300	3/100	235	F48G300	2675	F48R300	2724	F48D300	2724
	350	4/87.5	310	F48G350	2996	F48R350	3045	F48D350	3045
	360	4/90	310	F48G360	3210	F48R360	3259	F48D360	3259
	400	4/100	310	F48G400	3638	F48R400	3687	F48D400	3687
	450	5/90	370	F48G450	4334	F48R450	4383	F48D450	4383
	475	5/95	370	F48G475	4601	F48R475	4650	F48D475	4650
	500	5/100	370	F48G500	4815	F48R500	4864	F48D500	4864
600	6/100	450	F48G600	5457	F48R600	5506	F48D600	5506	

#### 208 Volt availability

For 208 volt applications, derate the 240V capacitors. The kvar at 208V will be .75 times the kvar at 240V.

**NOTE: ABB's patented IPE design eliminates the need for additional overcurrent protection when capacitors are electrically connected on the load side of a motor starter circuit breaker or fusible disconnect switch.**

Availability to be announced.  
Please consult ABB

① For additional kvar ratings not listed above, please consult factory.

## Fixed capacitor banks 3 Phase Internally Protected Elements 600Volt, 60Hz

### 600 volt, 60Hz — 3 phase

Enclosure size	kvar rating ①	Qty / kvar	Approx. shipping weight (lbs.)	Enclosure type					
				Indoor – NEMA 1		Outdoor – NEMA 3R		Indoor – NEMA 12	
				Catalog number	List price	Catalog number	List price	Catalog number	List price
63	160	2/80	155	F66G160	<b>\$ 1605</b>	F66R160	<b>\$ 1654</b>	F66D160	<b>\$ 1654</b>
83	200	2/100	155	F68G200	<b>1926</b>	F68R200	<b>1975</b>	F68D200	<b>1975</b>
63	240	3/80	195	F66G240	<b>2354</b>	F66R240	<b>2403</b>	F66D240	<b>2403</b>
83	270	3/90	230	F68G270	<b>2675</b>	F68R270	<b>2724</b>	F68D270	<b>2724</b>
	300	3/100	230	F68G300	<b>2889</b>	F68R300	<b>2938</b>	F68D300	<b>2938</b>
63	320	4/80	250	F66G320	<b>3050</b>	F66R320	<b>3099</b>	F66D320	<b>3099</b>
83	350	4/87.5	275	F68G350	<b>3210</b>	F68R350	<b>3259</b>	F68D350	<b>3259</b>
	360	4/90	275	F68G360	<b>3371</b>	F68R360	<b>3420</b>	F68D360	<b>3420</b>
	400	4/100	275	F68G400	<b>3959</b>	F68R400	<b>4008</b>	F68D400	<b>4008</b>
	500	5/100	375	F68G500	<b>5564</b>	F68R500	<b>5613</b>	F68D500	<b>5613</b>
	600	6/100	450	F68G600	<b>6420</b>	F68R600	<b>6469</b>	F68D600	<b>6469</b>

### Capacitor state indication system

240V kvar	480V & 600V kvar	Catalog number suffix	List price adder
90 – 120	125 – 200	-2LE	<b>\$ 225</b>
130 – 180	210 – 300		<b>338</b>
200	320 – 400		<b>450</b>
250 – 300	450 – 500		<b>562</b>
—	600		<b>675</b>

The capacitor state indication system consists of two yellow LED lights which illuminate only when the capacitor is energized and functioning at 65% or more of its rated kvar capacity.

The two light system will indicate a failure in any one of the three phases of the capacitor.

### Wall mounting assemblies

Type	Catalog number	List price adder
Wall mounting kit, 2 – 6 units per bank	FBWM	<b>\$ 500</b>

**NOTE: ABB's patented IPE design eliminates the need for additional overcurrent protection when capacitors are electrically connected on the load side of a motor starter circuit breaker or fusible disconnect switch.**

Availability to be announced.  
Please consult ABB

① For additional kvar ratings not listed above, please consult factory.

## Fixed capacitor banks

### 3 Phase, 240 & 480 Volt, 60 Hz

### with three fuses and blown fuse indicators



F26G250-3FI

ABB low voltage capacitors are fully protected by the three levels of protection offered by the patented Sequential Protection System which includes dry self-healing capacitors, internally protected elements and the dry non-flammable vermiculite filler. However, some users have traditionally requested external fuses and blown fuse indicators, so these modified units are offered for those applications.

Features include:

- Dry, environmentally safe construction
- Self healing capability
- Patented Internal Protected Elements
- Individual capacitors connected by bus bar
- NEMA 1, 3R, 12
- Easy mounting
- Easy electrical connection to large terminals
- Convenient grounding lug
- Each individual capacitor includes three fuses and three blown fuse indication lamps

#### 240 Volt, 60 Hz – 3 phase

Enclosure size	kvar rating <sup>①</sup>	Qty / kvar	Approx. shipping weight (lbs.)	Enclosure type					
				Indoor – NEMA 1		Outdoor – NEMA 3R		Indoor – NEMA 12	
				Catalog number	List price	Catalog number	List price	Catalog number	List price
63	70	2/35	135	F26G70-3FI	\$ 1625	F26R70-3FI	\$ 1674	F26D70-3FI	\$ 1674
	80	2/40	135	F26G80-3FI	1846	F26R80-3FI	1895	F26D80-3FI	1895
	90	2/45	135	F26G90-3FI	2087	F26R90-3FI	2136	F26D90-3FI	2136
	100	2/50	135	F26G100-3FI	2408	F26R100-3FI	2457	F26D100-3FI	2457
	110	2/55	135	F26G110-3FI	2568	F26R110-3FI	2617	F26D110-3FI	2617
	120	2/60	135	F26G120-3FI	2729	F26R120-3FI	2778	F26D120-3FI	2778
	130	1/40, 2/45	200	F26G130-3FI	2943	F26R130-3FI	2992	F26D130-3FI	2992
	150	3/50	200	F26G150-3FI	3210	F26R150-3FI	3259	F26D150-3FI	3259
	160	2/80	155	F26G160-3FI	3424	F26R160-3FI	3473	F26D160-3FI	3473
	180	3/60	235	F26G180-3FI	3745	F26R180-3FI	3794	F26D180-3FI	3794
	200	4/50	310	F26G200-3FI	4173	F26R200-3FI	4222	F26D200-3FI	4222
	250	5/50	370	F26G250-3FI	5243	F26R250-3FI	5292	F24D250-3FI	5292
300	5/60	370	F26G300-3FI	5778	F26R300-3FI	5827	F24D300-3FI	5827	

#### 480 Volt, 60 Hz – 3 phase

Enclosure size	kvar rating <sup>①</sup>	Qty / kvar	Approx. shipping weight (lbs.)	Enclosure type					
				Indoor – NEMA 1		Outdoor – NEMA 3R		Indoor – NEMA 12	
				Catalog number	List price	Catalog number	List price	Catalog number	List price
63	125	1–55/1–70	135	F46G125-3FI	\$ 1525	F46R125-3FI	\$ 1574	F46D125-3FI	\$ 1574
	130	2/65	135	F46G130-3FI	1579	F46R130-3FI	1628	F46D130-3FI	1628
	140	2/70	135	F46G140-3FI	1605	F46R140-3FI	1654	F46D140-3FI	1654
	150	2/75	135	F46G150-3FI	1686	F46R150-3FI	1735	F46D150-3FI	1735
83	160	2/80	155	F48G160-3FI	1766	F48R160-3FI	1815	F48D160-3FI	1815
	175	2/87.5	155	F48G175-3FI	1873	F48R175-3FI	1922	F48D175-3FI	1922
	180	2/90	155	F48G180-3FI	1926	F48R180-3FI	1975	F48D180-3FI	1975
	200	2/100	155	F48G200-3FI	2033	F48R200-3FI	2082	F48D200-3FI	2082
63	220	1–70/2–75	200	F46G220-3FI	2274	F46R220-3FI	2323	F46D220-3FI	2323
	225	3/75	200	F46G225-3FI	2435	F46R225-3FI	2484	F46D225-3FI	2484
83	240	3/80	235	F48G240-3FI	2515	F48R240-3FI	2564	F48D240-3FI	2564
	250	1–90/2–80	235	F48G250-3FI	2675	F48R250-3FI	2724	F48D250-3FI	2724
	260	2–90/1–80	235	F48G260-3FI	2782	F48R260-3FI	2831	F48D260-3FI	2831
	280	1–100/2–90	235	F48G280-3FI	2889	F48R280-3FI	2938	F48D280-3FI	2938
	300	3/100	235	F48G300-3FI	2996	F48R300-3FI	3045	F48D300-3FI	3045
	350	4/87.5	310	F48G350-3FI	3531	F48R350-3FI	3580	F48D350-3FI	3580
	360	4/90	310	F48G360-3FI	3692	F48R360-3FI	3741	F48D360-3FI	3741
	400	4/100	310	F48G400-3FI	4173	F48R400-3FI	4222	F48D400-3FI	4222
	450	5/90	370	F48G450-3FI	4869	F48R450-3FI	4918	F48D450-3FI	4918
	475	5/95	370	F48G475-3FI	5243	F48R475-3FI	5292	F48D475-3FI	5292
	500	5/100	370	F48G500-3FI	5564	F48R500-3FI	5613	F48D500-3FI	5613
	600	6/100	450	F48G600-3FI	6099	F48R600-3FI	6148	F48D600-3FI	6148

#### 208 Volt availability

For 208 volt applications, derate the 240V capacitors. The kvar at 208V will be .75 times the kvar at 240V.

**NOTE:** ABB's patented IPE design eliminates the need for additional overcurrent protection when capacitors are electrically connected on the load side of a motor starter circuit breaker or fusible disconnect switch.

Availability to be announced.  
Please consult ABB

① For additional kvar ratings not listed above, please consult factory.

## Fixed capacitor banks

### 3 phase, 600 Volt, 60 Hz

#### with three fuses and blown fuse indicators

#### 600 volt, 60Hz — 3 phase

Enclosure size	kvar rating <sup>①</sup>	Qty / kvar	Approx. shipping weight (lbs.)	Enclosure type					
				Indoor – NEMA 1		Outdoor – NEMA 3R		Indoor – NEMA 12	
				Catalog number	List price	Catalog number	List price	Catalog number	List price
63	160	2/80	155	F66G160-3FI	<b>\$ 1819</b>	F66R160-3FI	<b>\$ 1868</b>	F66D160-3FI	<b>\$ 1868</b>
83	200	2/100	155	F68G200-3FI	<b>2140</b>	F68R200-3FI	<b>2189</b>	F68D200-3FI	<b>2189</b>
63	240	3/80	195	F66G240-3FI	<b>2675</b>	F66R240-3FI	<b>2724</b>	F66D240-3FI	<b>2724</b>
83	270	3/90	230	F68G270-3FI	<b>2943</b>	F68R270-3FI	<b>2992</b>	F68D270-3FI	<b>2992</b>
	300	3/100	230	F68G300-3FI	<b>3210</b>	F68R300-3FI	<b>3259</b>	F68D300-3FI	<b>3259</b>
63	320	4/80	250	F66G320-3FI	<b>3424</b>	F66R320-3FI	<b>3473</b>	F66D320-3FI	<b>3473</b>
83	350	4/87.5	275	F68G350-3FI	<b>3745</b>	F68R350-3FI	<b>3794</b>	F68D350-3FI	<b>3794</b>
	360	4/90	275	F68G360-3FI	<b>4013</b>	F68R360-3FI	<b>4062</b>	F68D360-3FI	<b>4062</b>
	400	4/100	275	F68G400-3FI	<b>4280</b>	F68R400-3FI	<b>4329</b>	F68D400-3FI	<b>4329</b>
	500	5/100	375	F68G500-3FI	<b>6420</b>	F68R500-3FI	<b>6469</b>	F68D500-3FI	<b>6469</b>
	600	6/100	450	F68G600-3FI	<b>7490</b>	F68R600-3FI	<b>7539</b>	F68D600-3FI	<b>7539</b>

#### Capacitor state indication system

240V kvar	480V & 600V kvar	Catalog number suffix	List price adder
90 – 120	125 – 200	-2LE	<b>\$ 225</b>
130 – 180	210 – 300		<b>338</b>
200	320 – 400		<b>450</b>
250 – 300	450 – 500		<b>562</b>
—	600		<b>675</b>

The capacitor state indication system consists of two yellow LED lights which illuminate only when the capacitor is energized and functioning at 65% or more of its rated kvar capacity.

The two light system will indicate a failure in any one of the three phases of the capacitor.

#### Wall mounting assemblies<sup>②</sup>

Type	Catalog number	List price adder
Wall mounting kit, 2 – 6 units per bank	FBWM	<b>\$ 500</b>

**NOTE: ABB's patented IPE design eliminates the need for additional overcurrent protection when capacitors are electrically connected on the load side of a motor starter circuit breaker or fusible disconnect switch.**

Availability to be announced.  
Please consult ABB

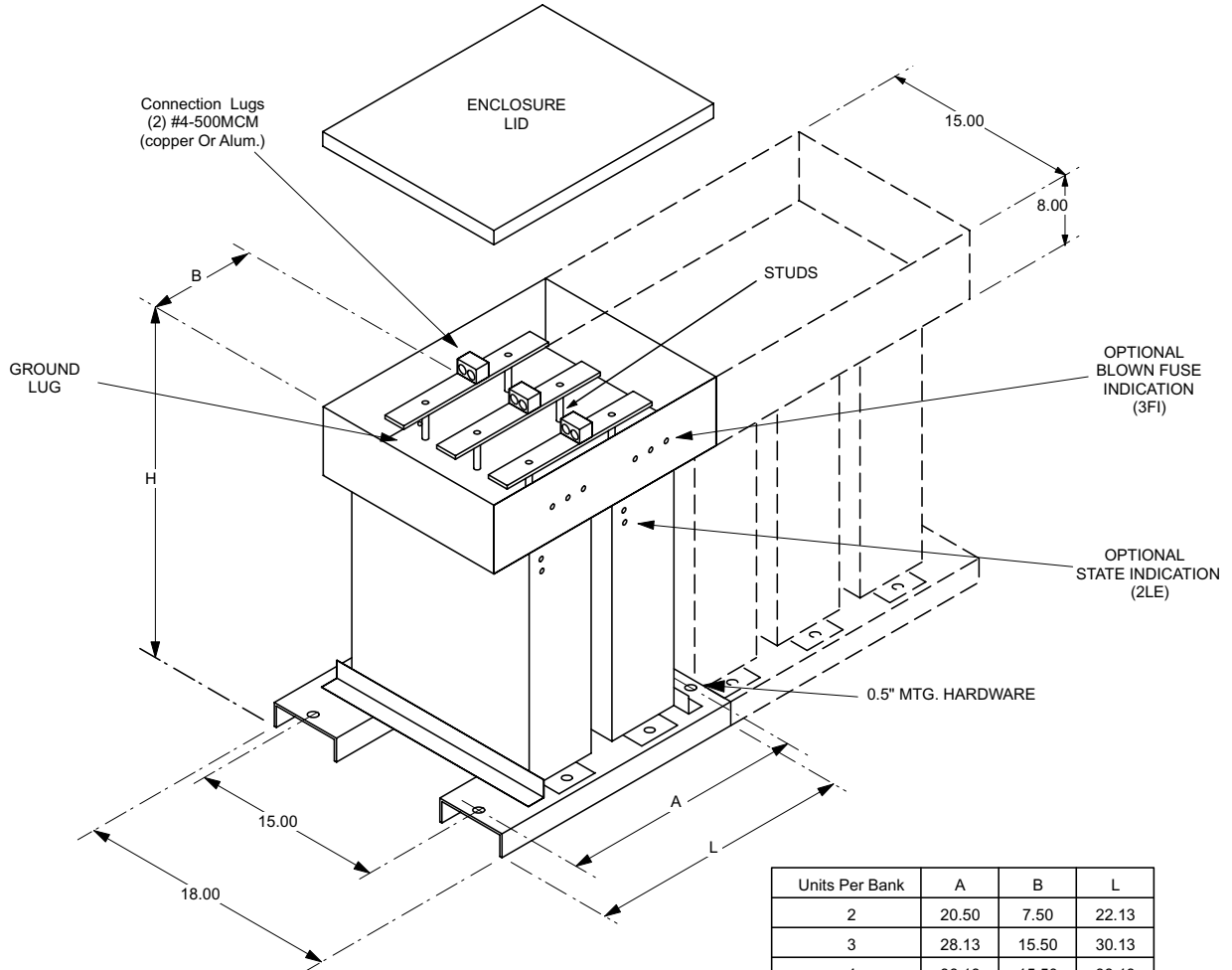
<sup>①</sup> For additional kvar ratings not listed above, please consult factory.

# Approximate dimensions Fixed capacitor banks

Low Voltage  
Network Quality

← 00.00 → Inches

## Fixed capacitor banks



Units Per Bank	A	B	L
2	20.50	7.50	22.13
3	28.13	15.50	30.13
4	36.13	15.50	38.13
5	44.13	15.50	46.13
6	44.13	22.50	54.13

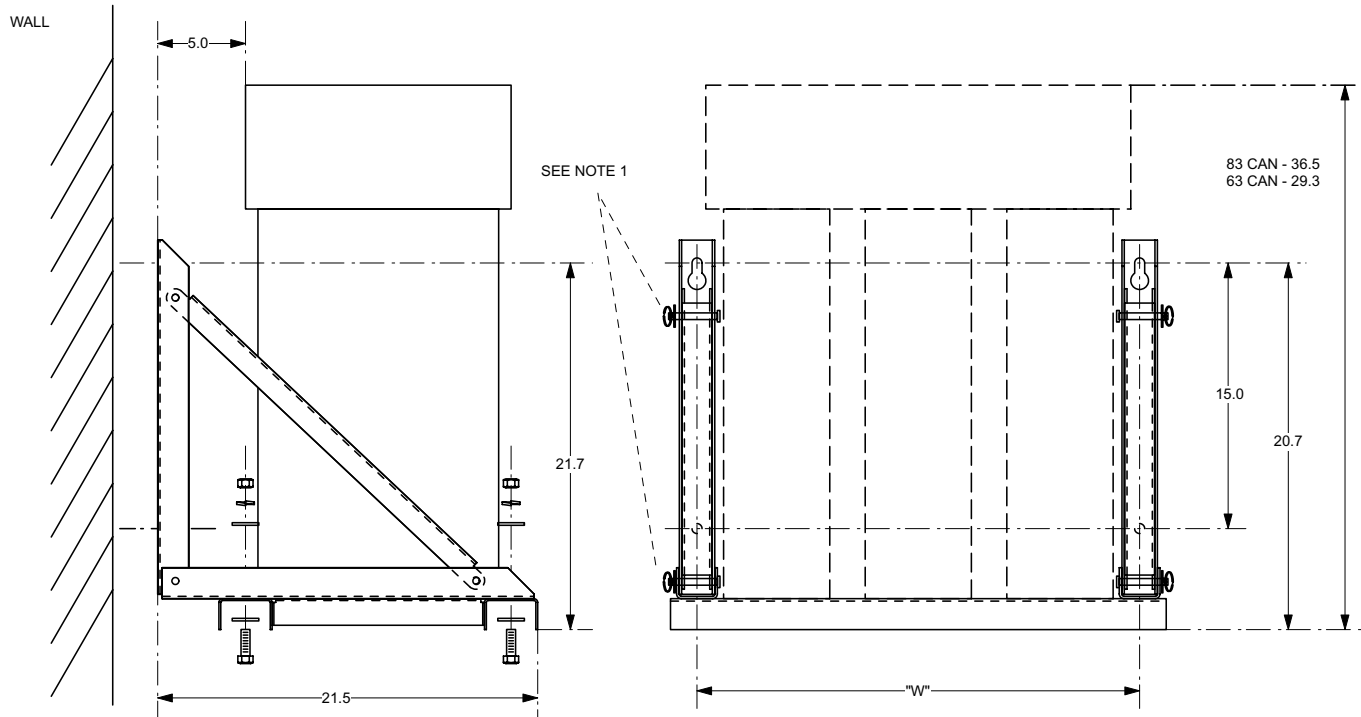
Unit Size	H
CLMD-53	22.50
CLMD-63	29.50
CLMD-83	36.50

Availability to be announced.  
Please consult ABB

## Approximate dimensions Fixed capacitor banks

←00.00→ Inches

### Fixed bank wall mounting



NOTE 1: POSITION SPLIT RINGS TOWARD OUTSIDE OF BANK

NO. OF CAPS	MTG WIDTH "W"
2	17.0
3	25.0
4	33.0
5	41.0
6	49.0

MOUNT CAPACITOR ASSEMBLY TO WALL USING FOUR (4) 1/2" BOLTS. "KEY HOLE" MOUNTING HOLES ARE PROVIDED AT TOP OF MOUNTING BRACKETS.

WALL MOUNTING BRACKETS ARE ATTACHED TO FIXED BANK USING FOUR (4) 1/2-13 X 1.25" BOLTS AS SHOWN. TORQUE HARDWARE TO 50 LBS-FT.

Availability to be announced.  
Please consult ABB