

# Technical data

## Approximate dimensions

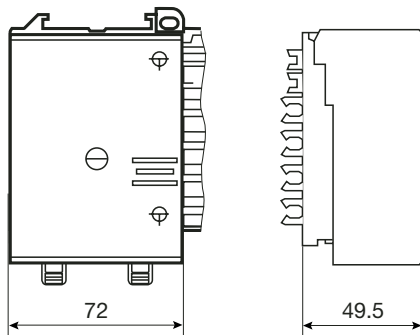


### Technical data

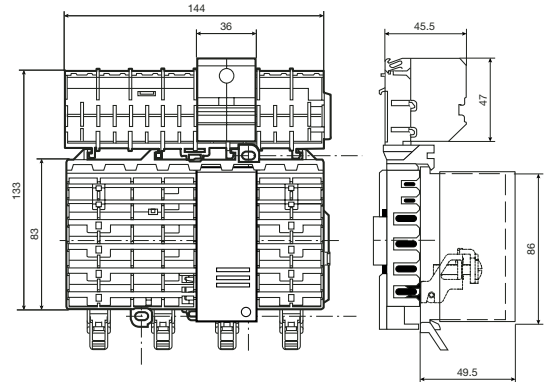
Item		Description
Rated voltage	VAC	600
Rated current	A	100 (end feed); up to 200A (center feed)
Short circuit rating	KAIC	50 when protected by 150A fuse
Approval		UL508 Recognized component
Power feed terminals wire range	AWG	10-1/0 & 8-3/0

### Approximate dimensions

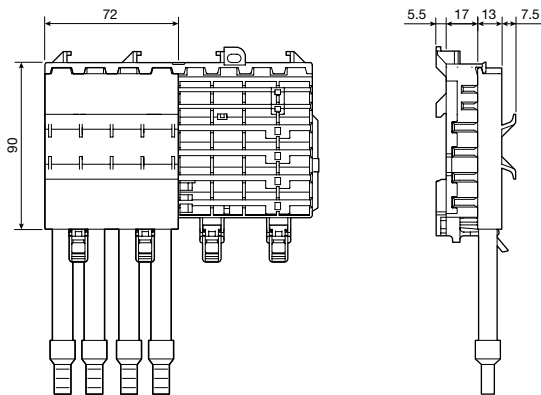
#### ZLS224 – Main power feed terminal



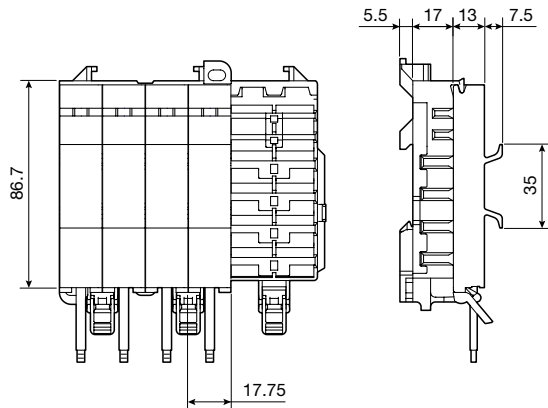
#### Incoming terminal components



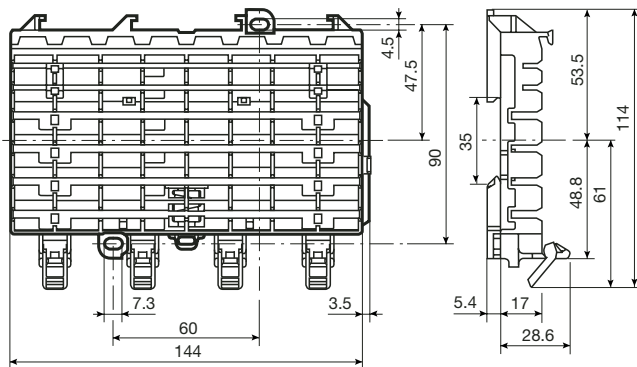
#### Adapter for non-smisline devices, 100A



#### Adapter for foreign devices, 30A, 60A



#### ZLS808 – Socket base



#### ZLS806 – Socket base

