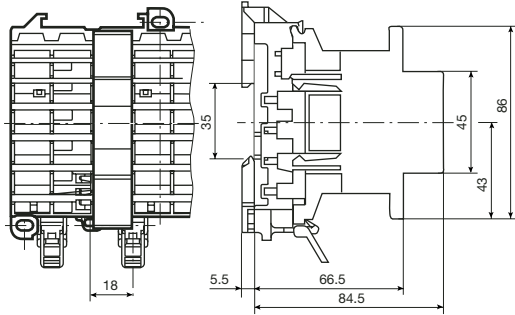
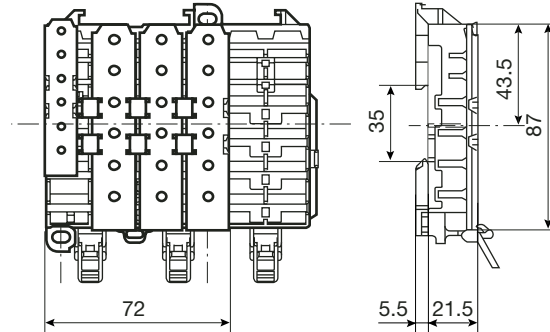


## Approximate dimensions

**ZLS239 – Busbar isolator**



**ZLS100 – Bus bar cover**



**ZLS101 – Extension adapter**

