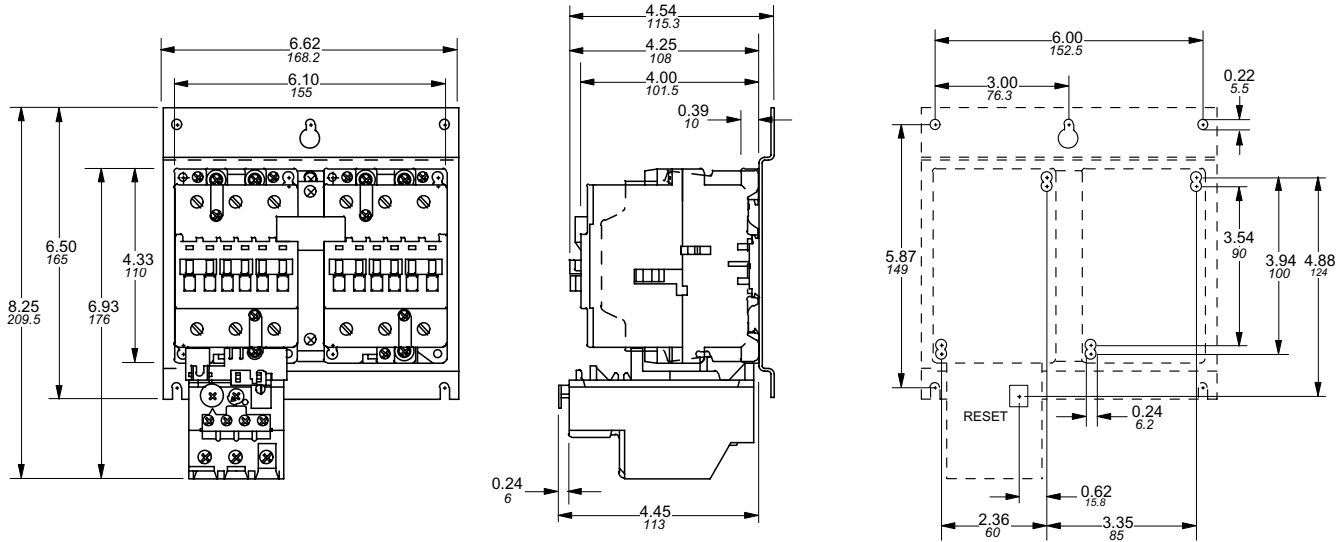


Approximate dimensions AC/DC operated, 3 pole A/AE50 – A/AE75

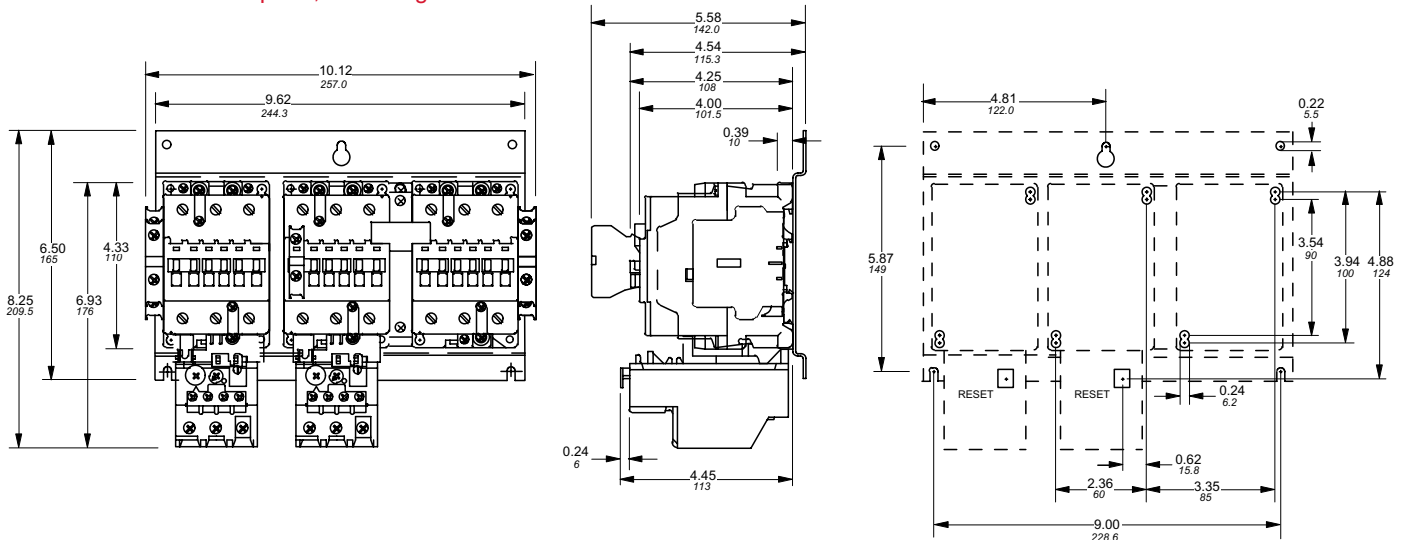
← 00.00 → Inches
00.00 → [Millimeters]

A/AE50 – A/AE75 + VM5 or VE5 + TA75 — Reversing starter

3



A/AE50 – A/AE75 — 2 Speed, 1 winding



A/AE50 – A/AE75 — 2 Speed, 2 winding

