

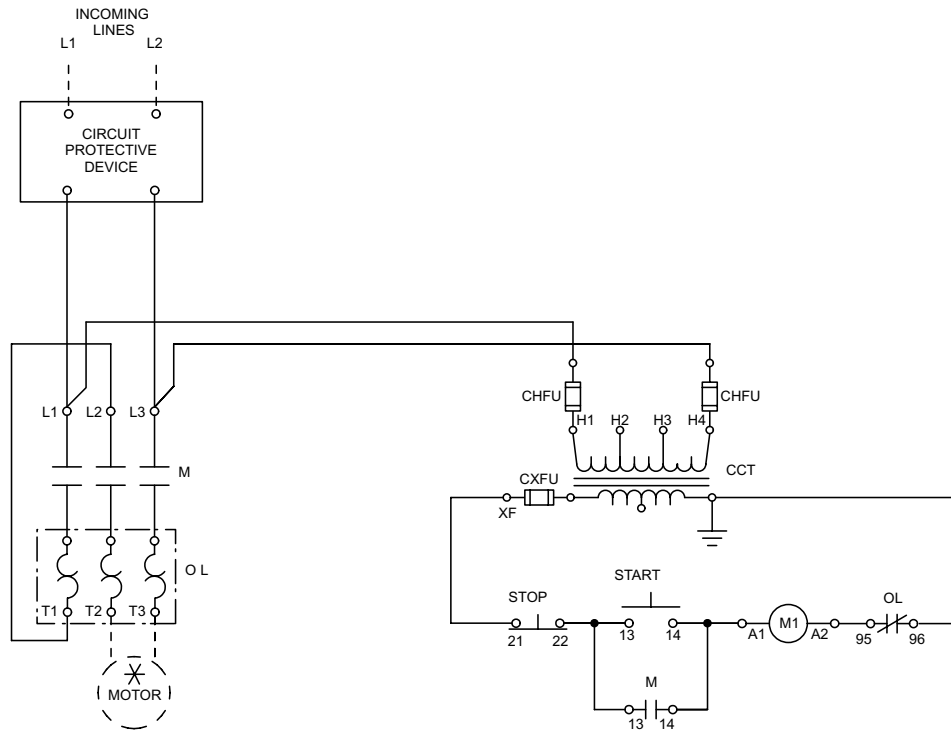
Circuit diagrams

Non-reversing single phase

A9 – A185

Non-reversing, single phase – A9 - A185 shown with control circuit transformer, START-STOP

3



Non-reversing, single phase – A9 - A185 shown with control circuit transformer, HOA

