

Approximate dimensions

Mechanically interlocked contactors, control relays

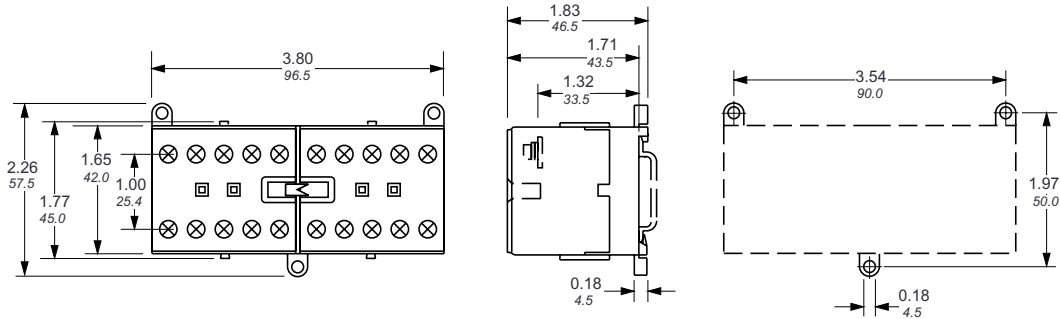
Auxiliary contact blocks

00.00 Inches
00.00 [Millimeters]

Mechanically interlocked – AC & DC Operated

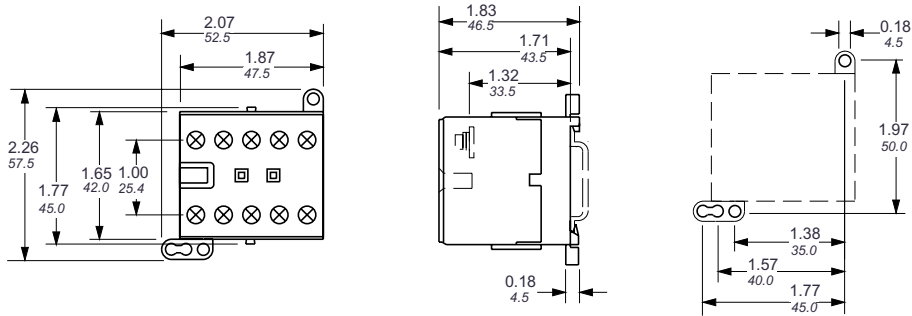
VB6M, VBC6M, VB7M, VBC7M

4



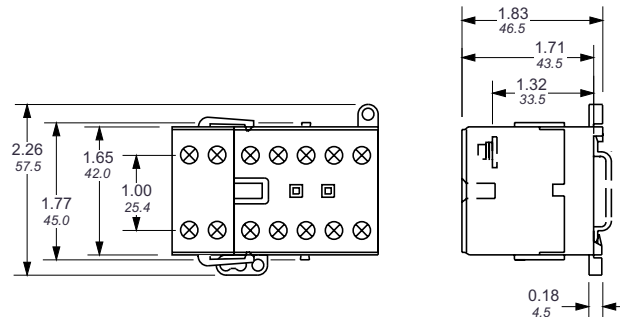
Mini control relays

AC & DC Operated – K6, KC6



Mini contactor with side mounted auxiliary contact block

B6, B7 & CA6



Mini contactor with front mounted auxiliary contact block

B6, B7 & CA6

