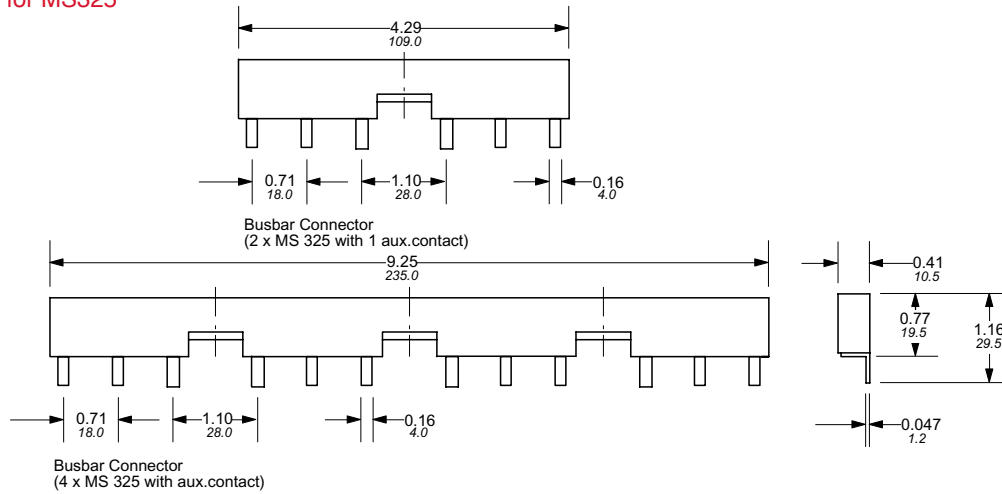


Approximate dimensions Accessories for MS325

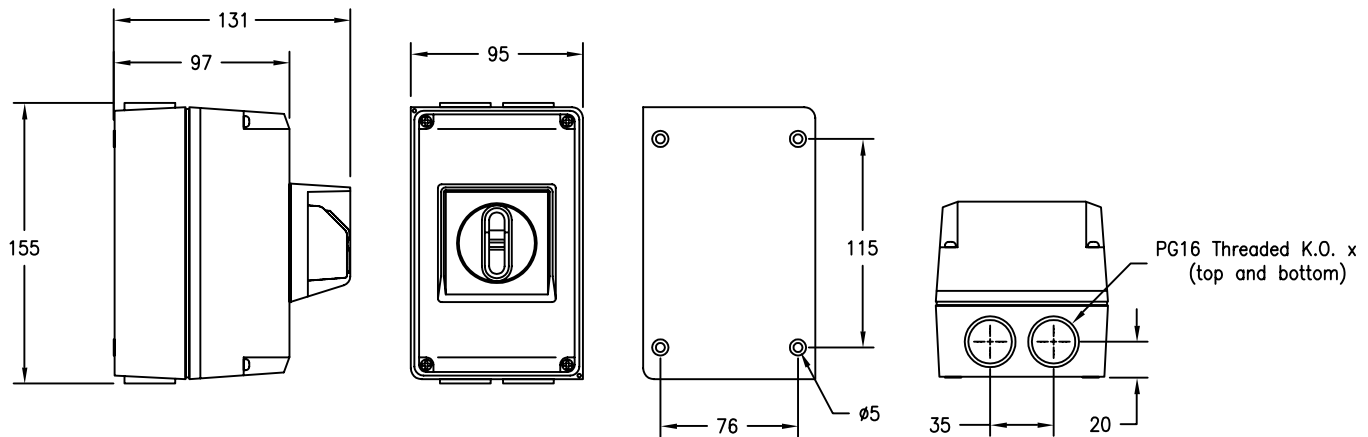
00.00 Inches
00.00 [Millimeters]

Busbar connectors for MS325

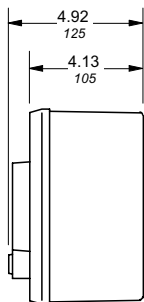
5



Molded plastic enclosures for MS325 OTPA325B2P1 and OTPA325A2P1



12644



12646

