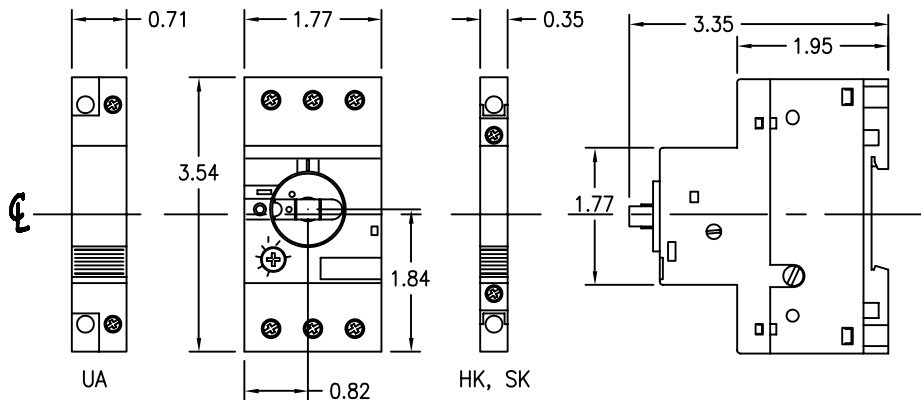


Type MS116

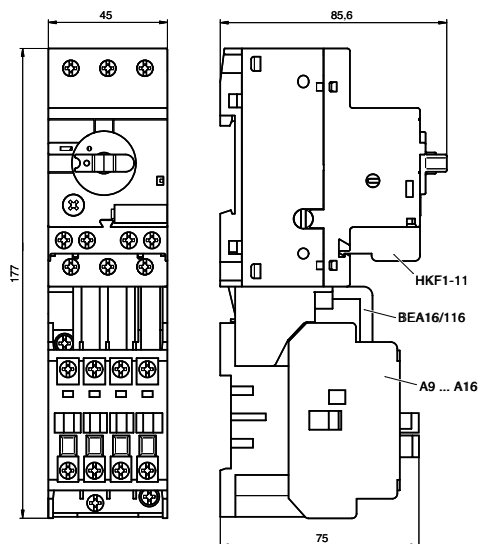
Approximate dimensions

MS116

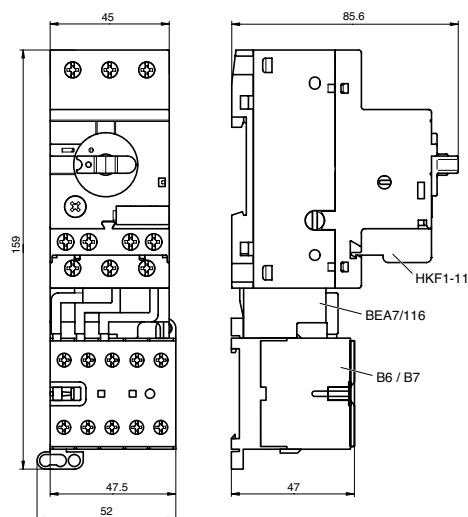
5



MS116 — mounted with A9 - A16 contactor



MS116 — mounted with B6/B7 minicontactor



MS116 — mounted with UA1..., SK1..., HK1..., HKF1-11

