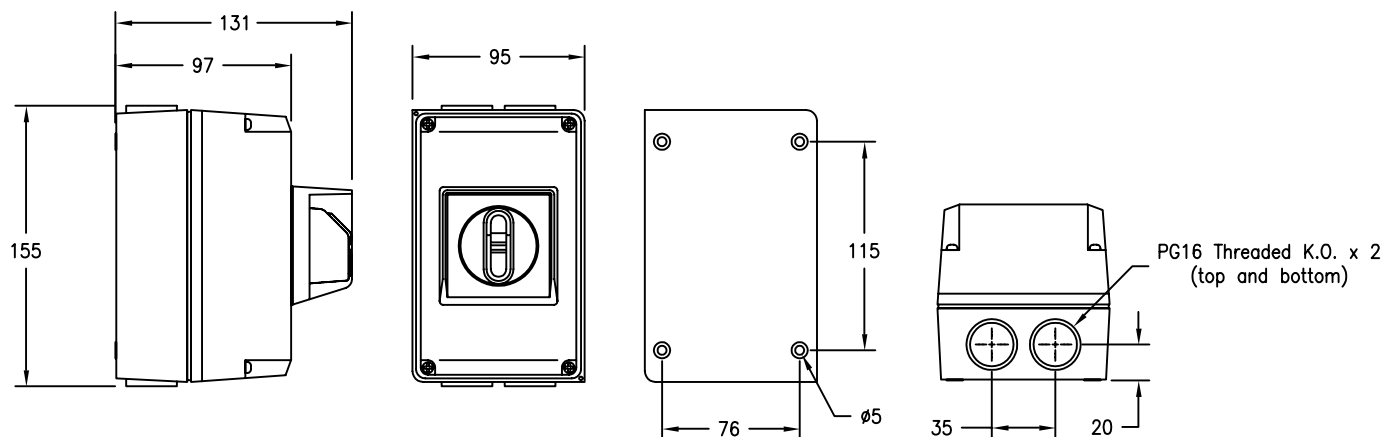


# Type MS116

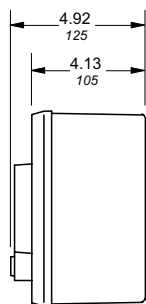
## Approximate dimensions

Molded plastic enclosures for MS116  
OTPA116L2P1 and OTPA116A2P1



5

12644



12646

