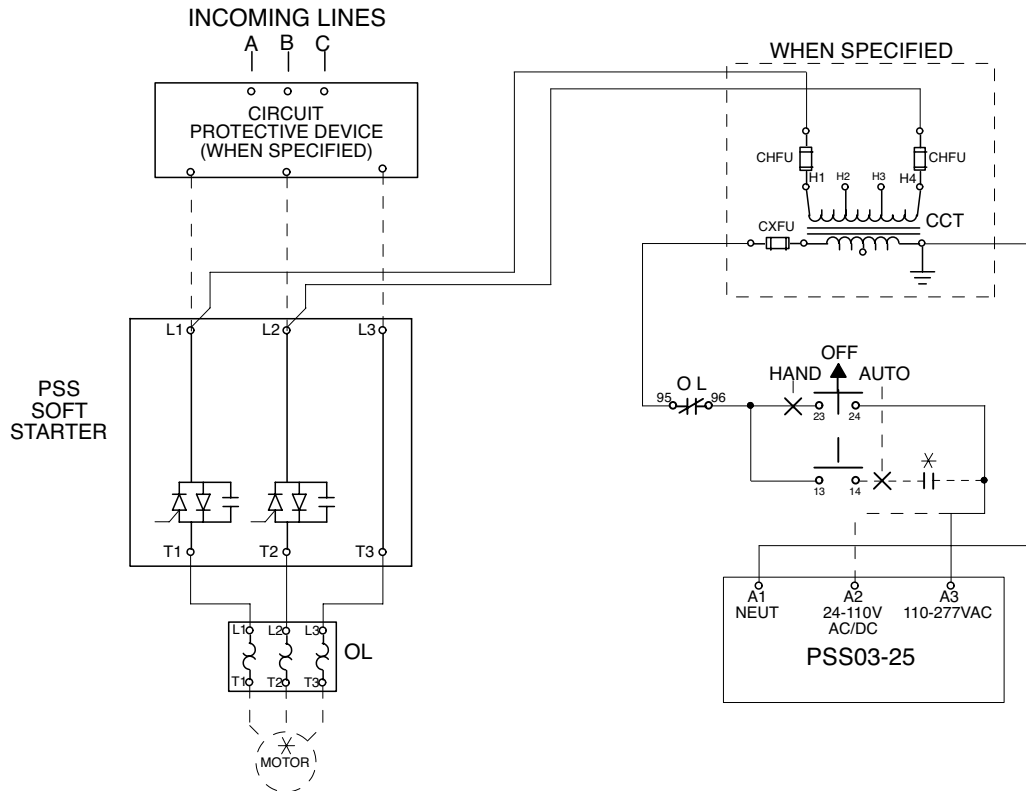


# Circuit diagrams

## PSS03 – PSS25

Softstarters  
Type PSS



6

### NOTES

1. ALL CONTROL WIRING TO BE 18GA. COLOR OF CONTROL WIRE SHALL BE PER VOLTAGE OF CONTACTOR COILS:  
RED - ALL AC VOLTAGES  
WHITE MAY BE USED ON THE GROUNDED SIDE OF THE AC CIRCUIT IF SPECIFIED.  
BLUE - ALL DC VOLTAGES
2. ALL DEVICES ARE SHOWN DE-ENERGIZED.
3. DO NOT USE SELECTOR SWITCHES WITH AUTO-RESET OVERLOAD RELAYS.

LEGEND	
CCT	CONTROL CIRCUIT TRANSFORMER
CHFU	CCT PRIMARY FUSE
CXFU	CCT SECONDARY FUSE
B	BYPASS CONTACTOR
OL	OVERLOAD RELAY
° <sub>13</sub>	CONN POINT ON DEVICE WITH NUMBER
X	REMOTE DEVICE
∅	CONN POINT AT TERMINAL BLOCK