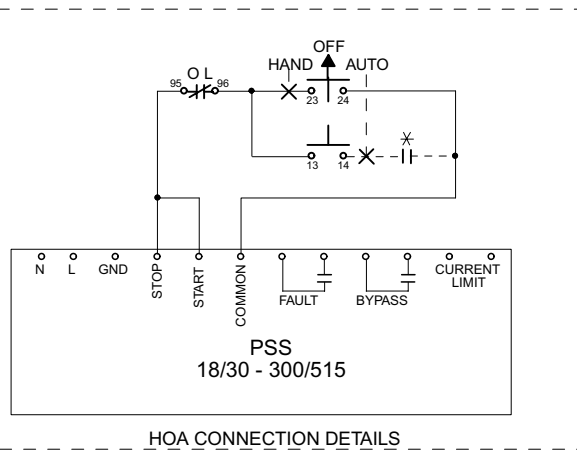
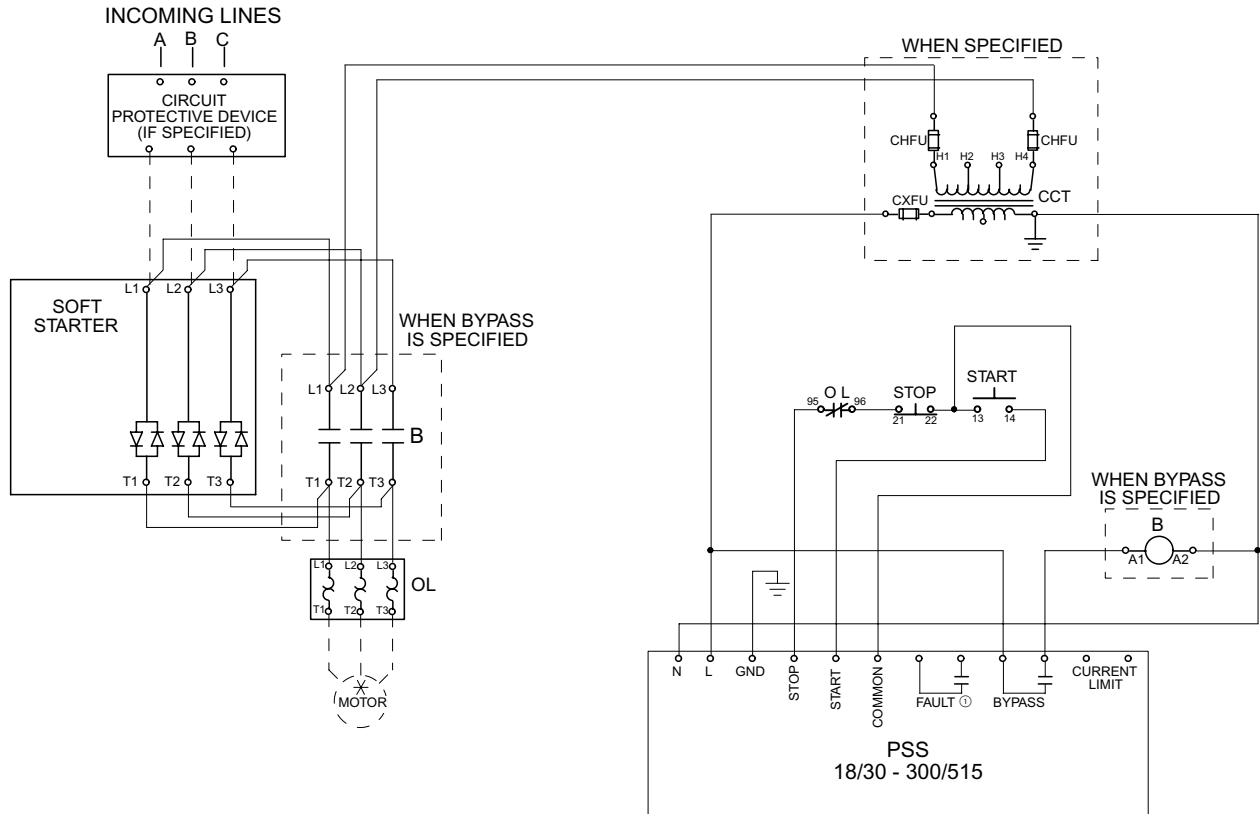


# Circuit diagrams

## PSS18/30 – PSS300/515, In-line motor configuration

Softstarters  
Type PSS

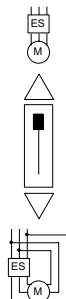
6



### NOTES

- ALL CONTROL WIRING TO BE 18GA. COLOR OF CONTROL WIRE SHALL BE PER VOLTAGE OF CONTACTOR COILS:  
RED - ALL AC VOLTAGES  
WHITE MAY BE USED ON THE GROUNDED SIDE OF THE AC CIRCUIT IF SPECIFIED.  
BLUE - ALL DC VOLTAGES
- ALL DEVICES ARE SHOWN DE-ENERGIZED.
- DO NOT USE SELECTOR SWITCHES WITH AUTO-RESET OVERLOAD RELAYS.

LEGEND	
CCT	CONTROL CIRCUIT TRANSFORMER
CHFUS	CCT PRIMARY FUSE
CXFUS	CCT SECONDARY FUSE
B	BYPASS CONTACTOR
OL	OVERLOAD RELAY
13	CONN POINT ON DEVICE WITH NUMBER
*	REMOTE DEVICE
∅	CONN POINT AT TERMINAL BLOCK



SET DIP SWITCH S1 AS SHOWN