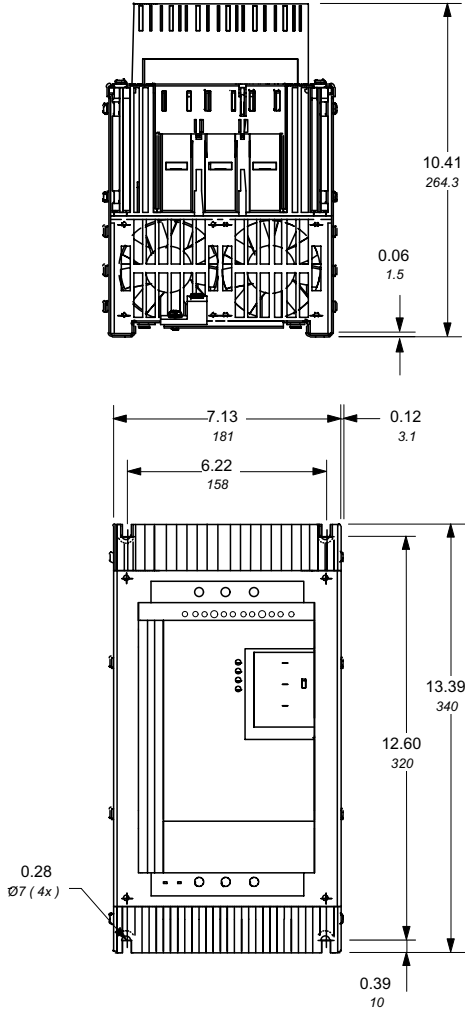


# Approximate dimensions Open, PSS85 – PSS300

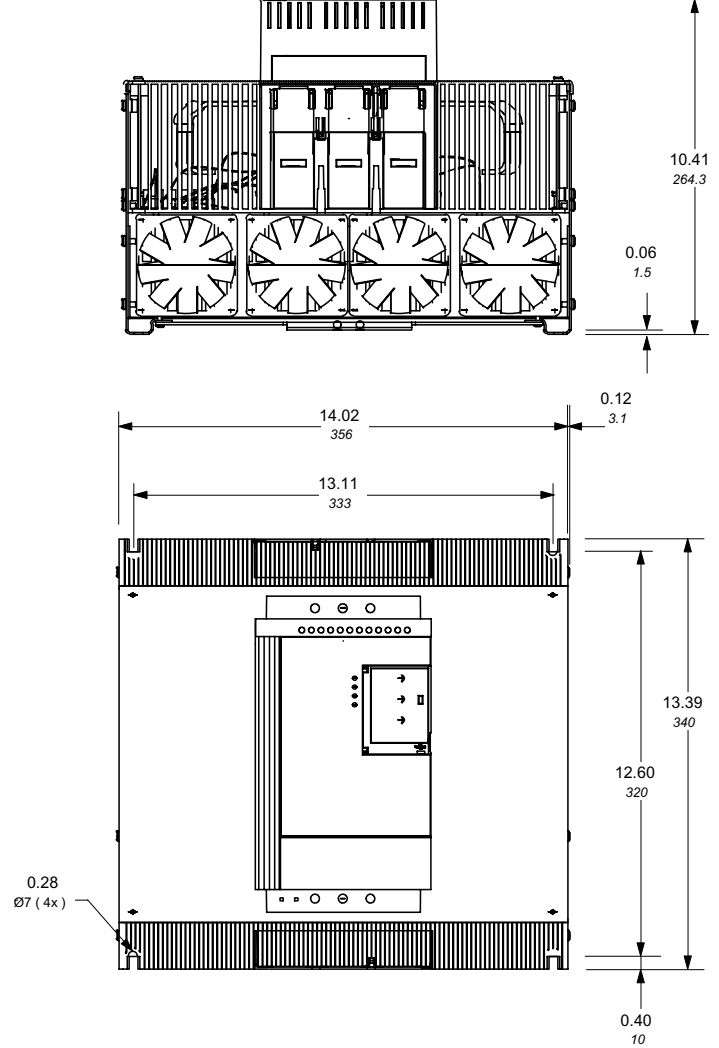
Softstarters  
Type PSS

00.00 Inches  
00.00 [Millimeters]

**PSS85 to PSS142 (208V – 690V)**



**PSS175 to PSS300 (208V – 690V)**



6