

# General information

## Type NE, DC operated

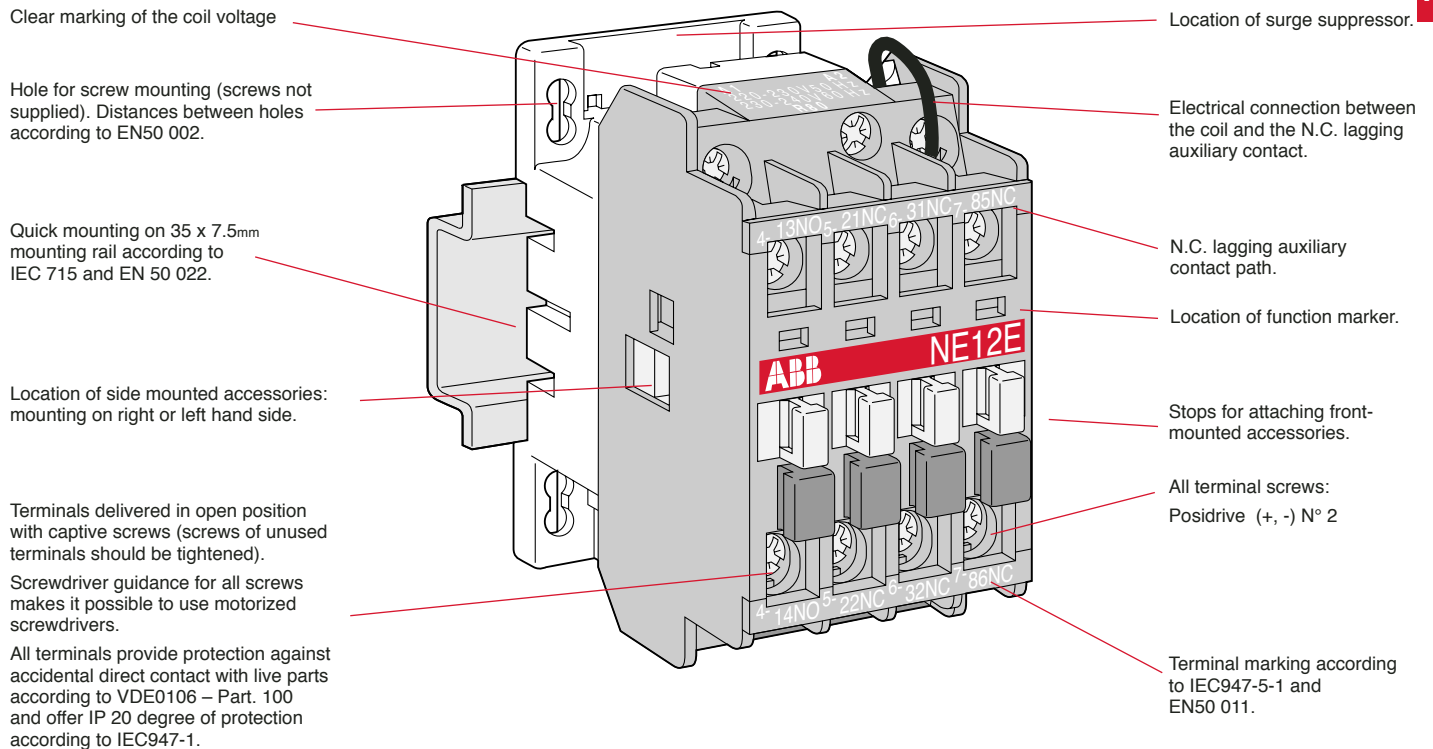


### Description

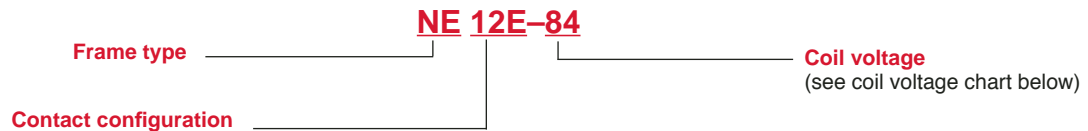
- Contactor relays with laminated magnet circuit and double-winding coil fed from a DC supply via a built-in N.C. lagging auxiliary contact.
- 1-stack version with three built-in auxiliary contacts.
- Self-cleaning auxiliary contacts
- Alone or fitted with a 4-pole CA5 auxiliary contact block, these devices offer mechanically linked contacts.
- Side by side mounting possible.

### Application

NE... contactor relays are used for switching auxiliary circuits and control circuits.



### Catalog number explanation



### Coil voltage selection chart

Hz	Relay type	Volts															
		12	24	48	110	120	125	208	220	240	277	380	415	440	480	500	600
60	N		81	83	84	84		34	36	80	42		86	86	51	53	55
50	N		81	83	84			80				85	86			55	
DC	NE, NL	80	81	83	86		87		88	89							