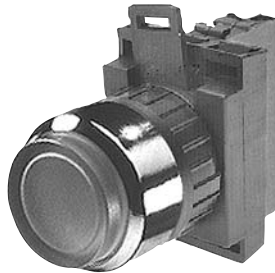


Illuminated Press-to-test pushbuttons

Pilot Devices
Type CBK 22mm



CBK-MLFPT1Y



CBK-MLTPT1Y

Press-to-test

Type	Black plastic ring		Chrome metal ring	
	Catalog number	List price	Catalog number	List price
Operator only ①	CBK-KLPT★	\$ 22.50	CBK-MLPT★	\$ 22.50
Full voltage type 6V 12V 24V 48V 120V	CBK-KLFPT6★ CBK-KLFPT7★ CBK-KLFPT8★ CBK-KLFPT9★ CBK-KLFPT1★	46.00	CBK-MLFPT6★ CBK-MLFPT7★ CBK-MLFPT8★ CBK-MLFPT9★ CBK-MLFPT1★	46.00
Resistor type 120V 240V	CBK-KLRPT1★ CBK-KLRPT2★	54.00	CBK-MLRPT1★ CBK-MLRPT2★	54.00
Transformer type 120V/6V 240V/6V 380V/6V 480V/6V	CBK-KLTPT1★ CBK-KLTPT2★ CBK-KLTPT3★ CBK-KLTPT4★	80.00	CBK-MLTPT1★ CBK-MLTPT2★ CBK-MLTPT3★ CBK-MLTPT4★	80.00
120V/24V 240V/24V 380V/24V 480V/24V	CBK-KLTPT5★ CBK-KLTPT6★ CBK-KLTPT7★ CBK-KLTPT8★	80.00	CBK-MLTPT5★ CBK-MLTPT6★ CBK-MLTPT7★ CBK-MLTPT8★	80.00

★ Select the lens color from the "Illuminated buttons & lenses" selection chart and substitute the suffix code for the ★. The lens and bulb are included in the price.

Press-to-test (LED bulb) ②

Type	Black plastic ring		Chrome metal ring	
	Catalog number	List price	Catalog number	List price
Full voltage type 24V 120V 230V	CBK-KLFPTL8★ CBK-KLFPTL1★ CBK-KLFPTL2★	\$ 55.00 55.00 61.00	CBK-MLFPTL8★ CBK-MLFPTL1★ CBK-MLFPTL2★	\$ 55.00 55.00 61.00
Transformer type 120V/24V 240V/24V 380V/24V 480V/24V	CBK-KLTPTL1★ CBK-KLTPTL2★ CBK-KLTPTL3★ CBK-KLTPTL4★	80.00	CBK-MLTPTL1★ CBK-MLTPTL2★ CBK-MLTPTL3★ CBK-MLTPTL4★	80.00

★ Select the lens color from the "Illuminated buttons & lenses" selection chart and substitute the suffix code for the ★. The lens and bulb are included in the price.

Press-to-test (neon bulb) ③

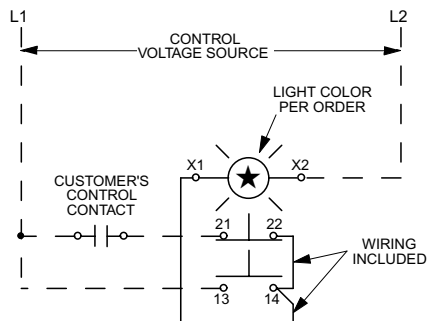
Item	Black plastic ring		Chrome metal ring	
	Catalog number	List price	Catalog number	List price
Full voltage type 220VAC	CBK-KLTPN2★	\$ 46.00	CBK-MLTPN2★	\$ 46.00

★ Illuminated buttons

Button color	Suffix code
Red	R
Green	G
Yellow	Y
Blue	L
Clear	C
White	W

NOTE: White LEDs use clear lenses.

Schematic



Press-to-test schematic

① 1 N.O. & 1 N.C. contact supplied; lamp module and bulb must be ordered separately.

② For blue or white LEDs, add \$ 3 to the list price.

③ Use with red, yellow and clear lenses only. For 120VAC, consult factory.