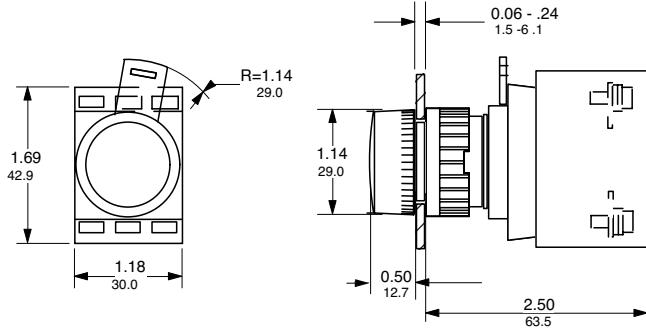


Approximate dimensions

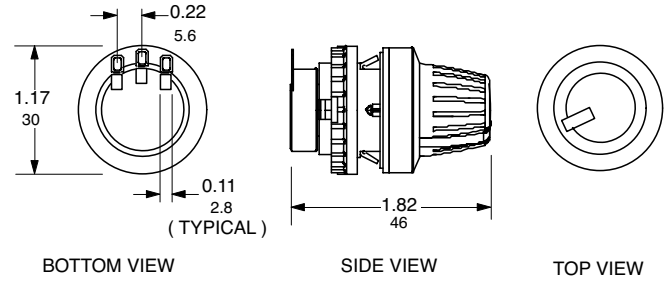
Pilot Devices
Type CBK 22mm

00.00 Inches
00.00 [Millimeters]

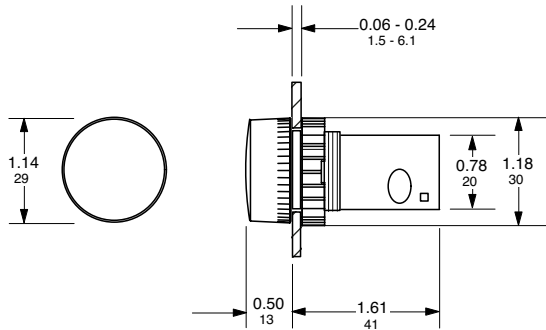
Pilot light with transformer



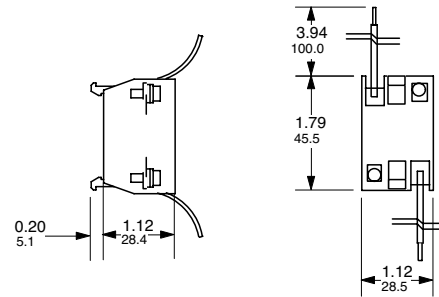
Potentiometer



Compact pilot light

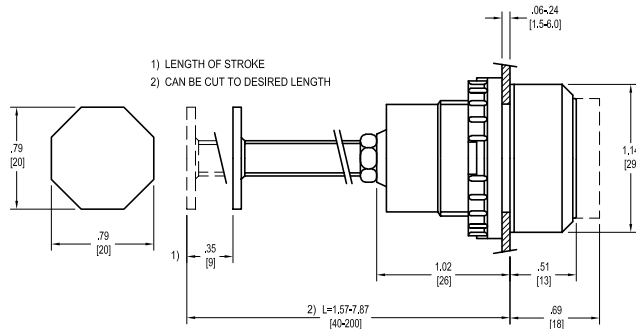


Transformer block

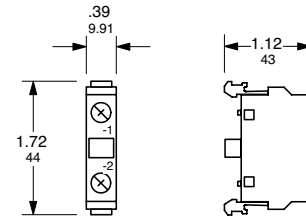


8

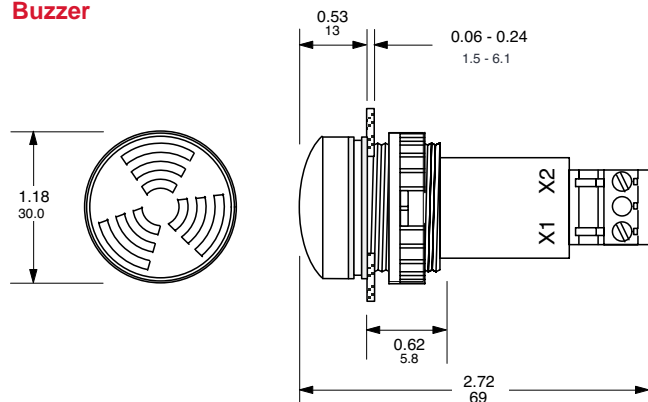
Reset actuator



Contact block – Operator mounted



Buzzer



Contact block – Base mounted

