

# Illuminated Press-to-test pushbuttons

Pilot Devices  
Type CBG 30mm



CBG-MLFPT1Y



CBG-KLFPTL1Y



Illuminated button

## Press-to-test

Voltage	Black plastic ring		Chrome metal ring	
	Catalog number	List price	Catalog number	List price
<b>Operator only</b> <sup>①</sup>	CBG-KLPT★	\$ 46.00	CBG-MLPT★	\$ 46.00
<b>Full voltage type</b> 6V 12V 24V 48V 120V	CBG-KLFPT6★ CBG-KLFPT7★ CBG-KLFPT8★ CBG-KLFPT9★ CBG-KLFPT1★	69.50	CBG-MLFPT6★ CBG-MLFPT7★ CBG-MLFPT8★ CBG-MLFPT9★ CBG-MLFPT1★	69.50
<b>Resistor type</b> 120V 240V	CBG-KLRPT1★ CBG-KLRPT2★	73.50	CBG-MLRPT1★ CBG-MLRPT2★	73.50
<b>Transformer type</b> 120V/6V 240V/6V 380V/6V 480V/6V	CBG-KLTPT1★ CBG-KLTPT2★ CBG-KLTPT3★ CBG-KLTPT4★	104.50	CBG-MLTPT1★ CBG-MLTPT2★ CBG-MLTPT3★ CBG-MLTPT4★	107.00

★ Select the lens color from the Illuminated buttons & lenses selection chart and substitute the suffix code for the ★. The lens and bulb are included in the price.

## Press-to-test (LED bulb)<sup>②</sup>

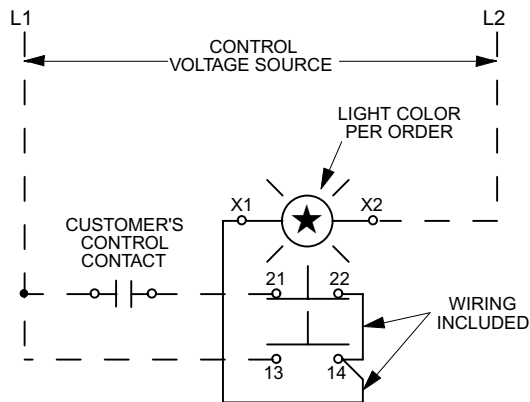
Voltage	Black plastic ring		Chrome metal ring	
	Catalog number	List price	Catalog number	List price
<b>Full voltage type</b> 24V 120V 230V	CBG-KLFPTL8★ CBG-KLFPTL1★ CBG-KLFPTL2★	\$ 78.50 84.50	CBG-MLFPTL8★ CBG-MLFPTL1★ CBG-MLFPTL2★	\$ 78.50 84.50
<b>Transformer type</b> 380V/24V 480V/24V	CBG-KLTPTL3★ CBG-KLTPTL4★	113.50	CBG-MLTPTL3★ CBG-MLTPTL4★	116.00

★ Select the lens color from the Illuminated buttons & lenses selection chart and substitute the suffix code for the ★. The lens and bulb are included in the price.

## ★ Illuminated buttons

Button color	Suffix code
Red	R
Green	G
Yellow	Y
Blue	L
Clear	C
White	W

## Schematic



Press- to-test schematic

① 1 N.O. & 1 N.C. contact block supplied; Lamp module and bulb must be ordered separately; see pages 8.84.  
② For blue or white LEDs, add \$ 3.00 to list price.