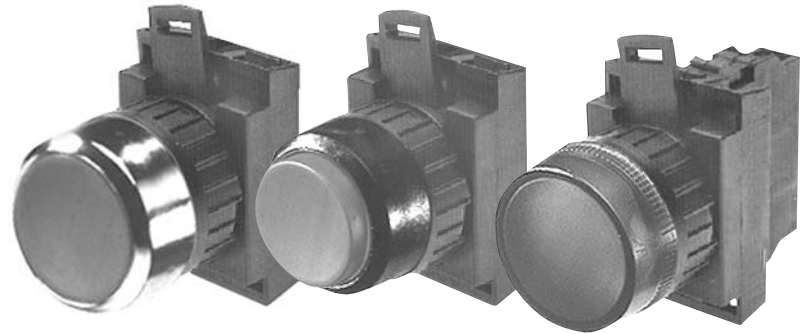


Type CBK 22mm Pilot devices

ABB Pilot devices CBK 22mm



8

Description Ratings

- Worldwide availability
- UL Listed for Types 1, 3R, 4, 4X, 12 & 13 applications
- UL, CSA, NEMA, IEC and most international standards
- CE marking
- UL File # E57057
- CSA File # LR19700
- Chrome plastic ring, UL 1, 12 & 13 only

General construction

- Quick mounting feature reduces installation time
- Front ring options are chrome metal, chrome plastic and black plastic
- Contact block holder features rear mounting with quick-release locking mechanism for high security
- Knurled sleeve tightens against panel assuring secure mounting
- Buttons available in seven colors
- Engraved caps available
- Mounts in 7/8"/22mm hole

Operators

- Emergency stop operators in illuminated and non-illuminated, maintained, push-pull or twist release
- Mushroom operators in maintained, push-pull, illuminated, twist release, momentary or key operated designs
- Illuminated & non-illuminated push-push operators with push-on & push-off designs (maintained)
- Two-position toggle operators, maintained
- Three-position toggle operators, maintained or momentary
- Key operated pushbuttons
- Selector switches, 2 or 3 position, illuminated, maintained, momentary or key operated
- Available with or without contact blocks
- Two button momentary operators with pilot light

Pilot lights

- Compact full voltage pilot light
- Full voltage, resistor and transformer type
- LED & neon bulbs available for illuminated pushbuttons and pilot lights

Contact blocks

- CBK 22mm and CBG 30mm devices use the same contact blocks, lamp modules, & transformers, lenses and buttons
- Quick-mount, quick-release contact block holder for fast, easy assembly
- N.O. & N.C. contact blocks are color coded for easy identification: Green, N.O./Red, N.C.
- Silver tipped contacts have wiping action for high reliability
- Low energy gold plated contact blocks available
- Base mounted contact blocks are available and snap onto a 35mm DIN rail or into a Type CBK enclosure
- 5 Contact block holder

Enclosures

- Available for 1, 2, 3, 4 & 6 operators
- Base mounted contacts allow the enclosure cover to be removed; wiring stays with enclosure base
- New base design allows up to 5 contact blocks to be mounted per operator in some combinations

Additional products

- 4X buzzer, continuous and pulsating
- 5k and 10k potentiometers