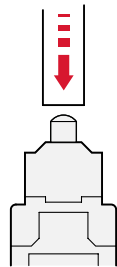


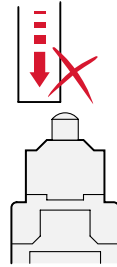
## Technical data

### Utilization precautions

#### Plain plunger



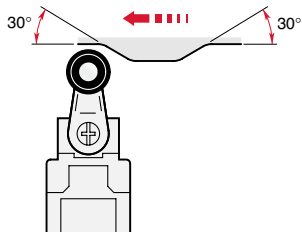
Correct



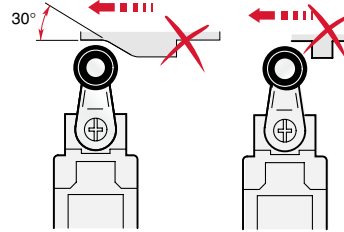
Incorrect

#### Roller plunger or roller lever

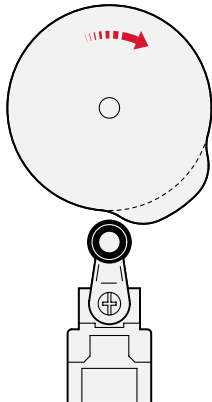
9



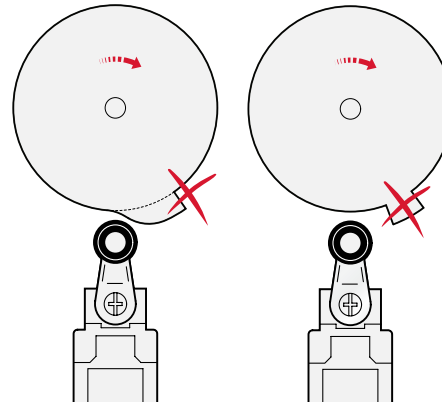
Correct



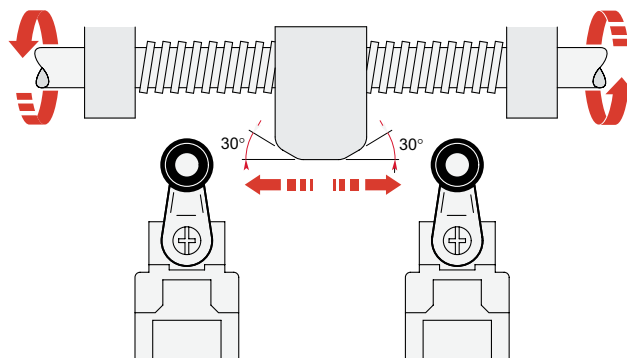
Incorrect



Correct



Incorrect



For a relatively slow movement of the switch actuator, a limit switch with a snap action contact block is preferred.