

## General information

### IP66, UL Type 4X

### 40mm & 60mm

#### Applications

Easy to use, electromechanical limit switches offer specific qualities:

- Visible operation.
- Able to switch strong currents (10 A conventional thermal current).
- Electrically separated contacts.
- Precise operating points (consistency).
- Immune to electromagnetic disturbances.

Limit switches used for these mechanical applications:

- Presence/absence.
- Positioning and travel limit.
- Objects passing/counting.

#### Description

Limit switches, which are made of aluminum alloy, have a degree of protection of IP 66 and UL Type 4X.

The casings come in 2 dimensions:

- 40mm width
  - LS40M
  - LS45M
- 60mm width
  - LS65M

9

#### Casing

- 40mm width with standardized dimensions according to EN 50041
- 60mm width

#### Mounting the casing

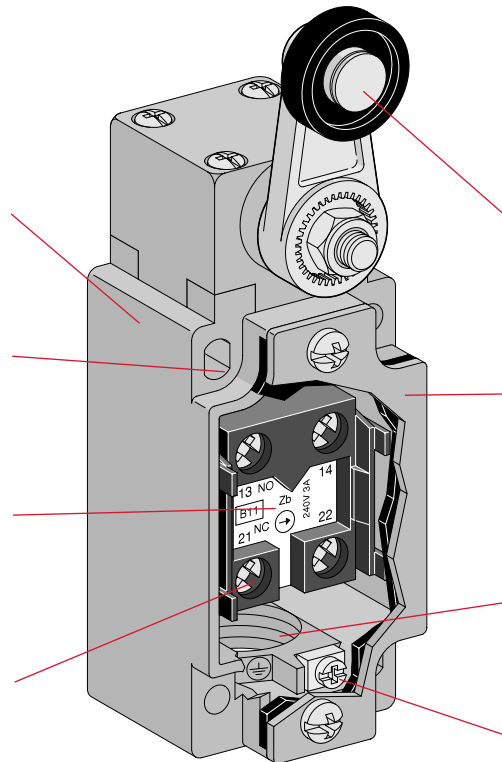
- 2 or 4 x M5 screws for 40mm width
- 2 x M5 screws for 60mm width

#### Block of 2 contacts

- Contact configuration: N.O. + N.C., 2 N.O., 2 N.C.
- Positive opening operation
- Snap action or slow action
- Zb shape: the 2 contacts are electrically separated

#### Connecting terminals

- M3.5 (+,-) pozidriv 2 screw
- Screw heads with captive cable clamp
- Markings conform with IEC 947-1, IEC 947-5-1, EN 50005 and 50013 standards



#### A variety of operating heads

- Plain plunger
  - Roller plunger
  - Roller lever, adjustable or not, etc.
- Assembled using 4 x M4 screws for 40 & 60mm widths

#### Cover

- Closed using 2 x M4 screws for 40mm width
  - Closed using 4 x M4 screws for 60mm width
- One piece sealing gasket to ensure tightness

#### Electrical connection

- 1 x pg 13.5 cable gland for 40mm width – LS40M
- 1 x 1/2" NPT cable gland – LS45M
- 3 x pg 13.5 cable glands for 60mm width – LS60M
- 3 x 1/2" NPT cable glands for 60mm width – LS65M

#### Terminal for protective conductor placed near the cable inlet and marked

- M3.5 (+,-) pozidriv 2 screw
- Screw head with captive cable clamp

#### Catalog number explanation

**LS 45 M 41 B 11**

#### Limit switch

#### Casing width

- 40 = 40mm width+1 cable inlet for Pg13.5 cable gland
- 45 = 40mm width+1/2" NPT cable gland
- 60 = 60mm width+3 cable inlets for Pg13.5 cable glands
- 65 = 60mm width+3 1/2" NPT cable glands

Metal casing

Operating heads: codes 11 – 93

#### Contact block

- 11: 1 N.O. contact + 1 N.C. contact
- 20: 2 N.O. contacts
- 02: 2 N.C. contacts

B: Zb Snap action

L: Zb Slow action (contact dependent)

D: Zb Slow action non—overlapping late make

C: Zb Slow action overlapping early make