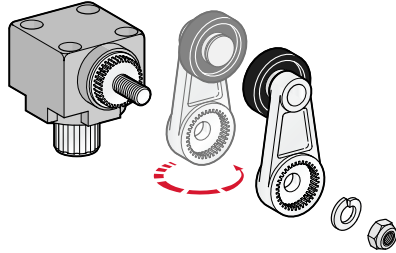
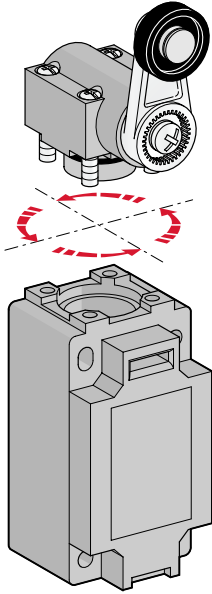


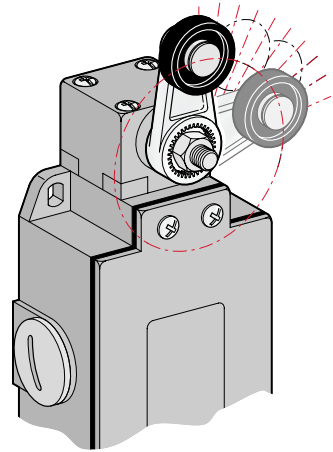
General information
Implementation
IP66, UL Type 4X, 40mm & 60mm



Lever round turning
 LS40M, LS45M, LS60M & LS65M

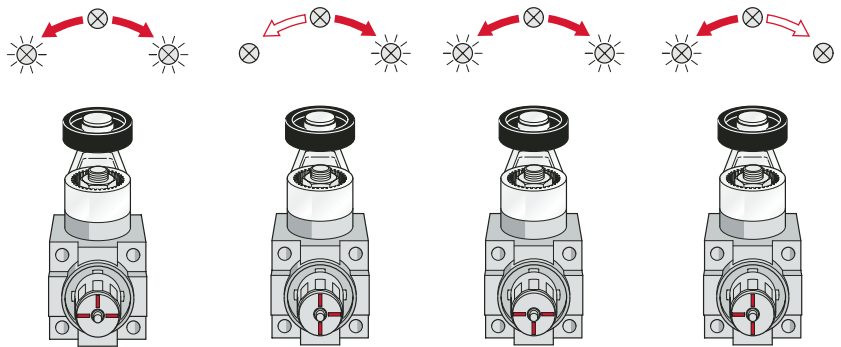
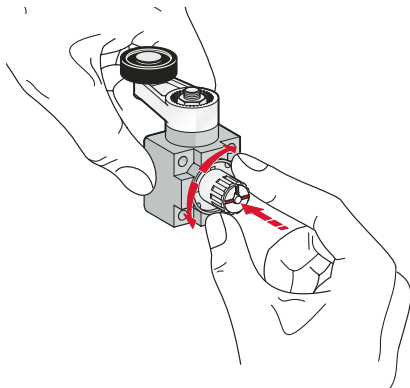


Head orientation



Free position adjustment 9 in 9° of lever

9



Operating mode selection