

# Latch key safety limit switches

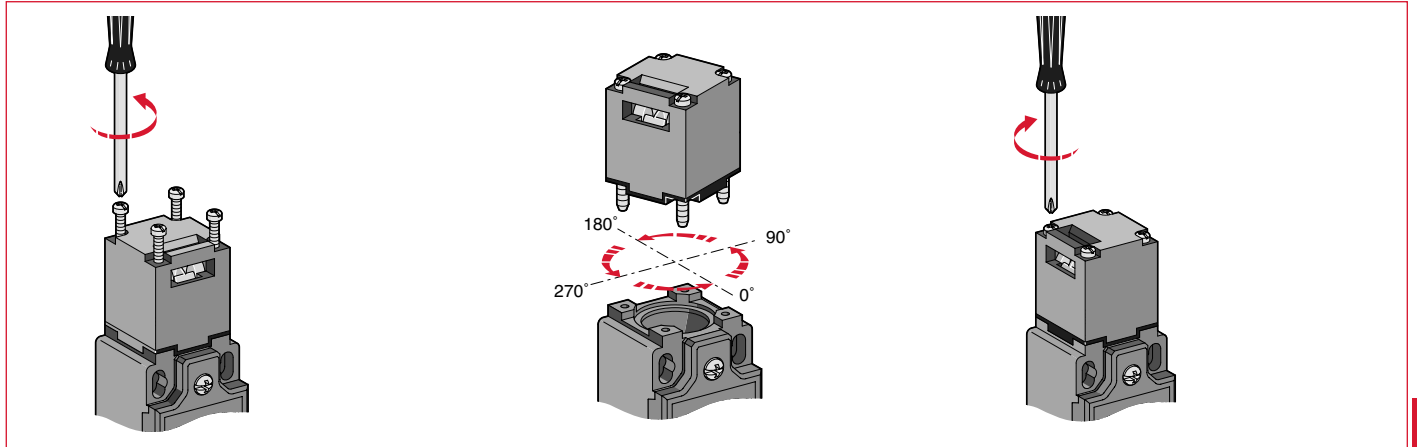
## Technical data



### Implementation

Limit switches with small latch (key) LS30P80...-S, LS31P80...-S and LS35P80...-S

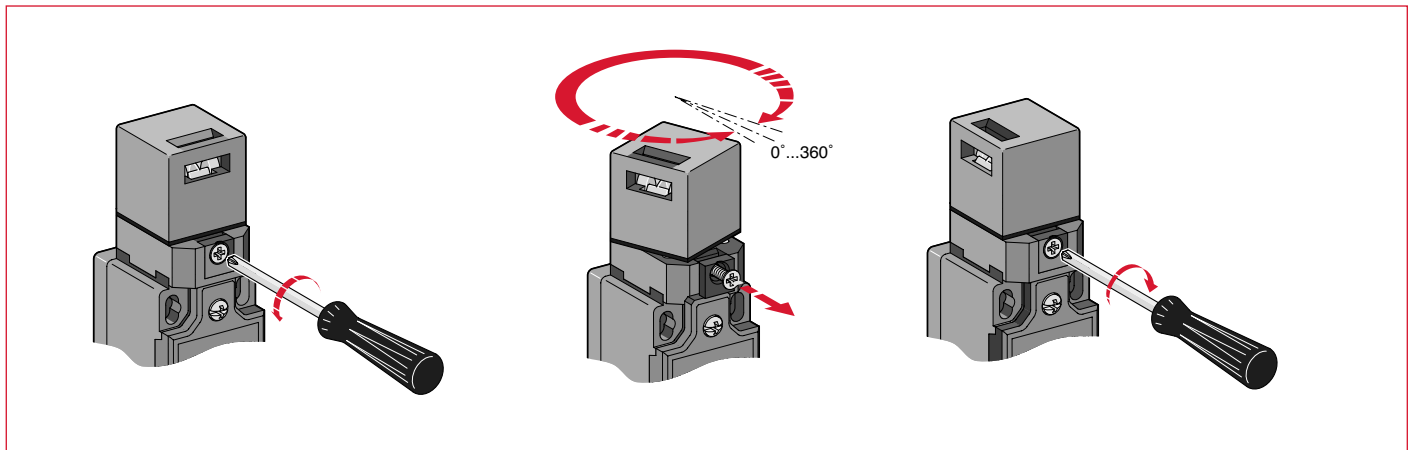
- Head adjustment every 90°.



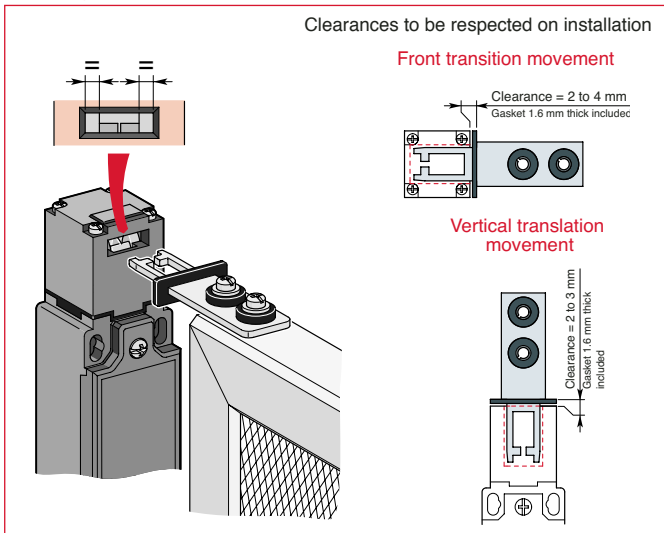
9

Limit switches with small latch (key) LS30P81...-S, LS31P81...-S and LS35P81...-S

- Pivoting head continuous between 0° to 360°.



### Adjusting the small latches (keys)



### Blanking off the window not used (IP4x protection)

