

# Rotative axis safety limit switches

## Technical data

### Implementation

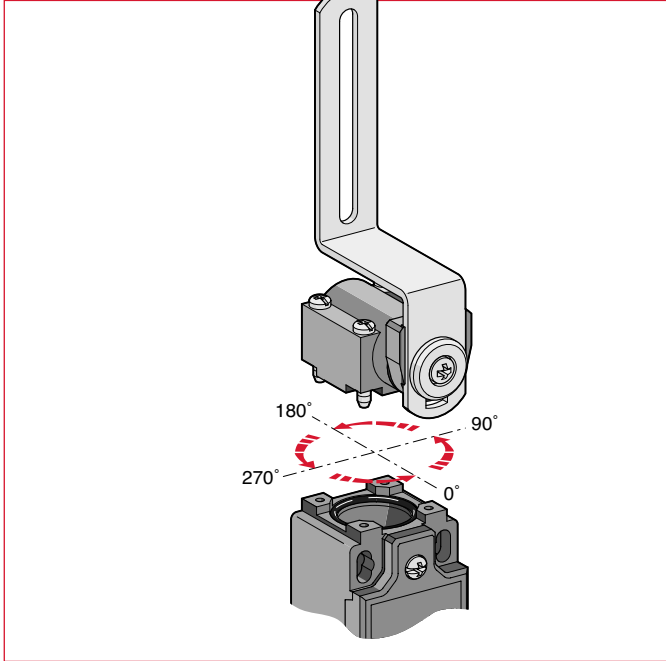
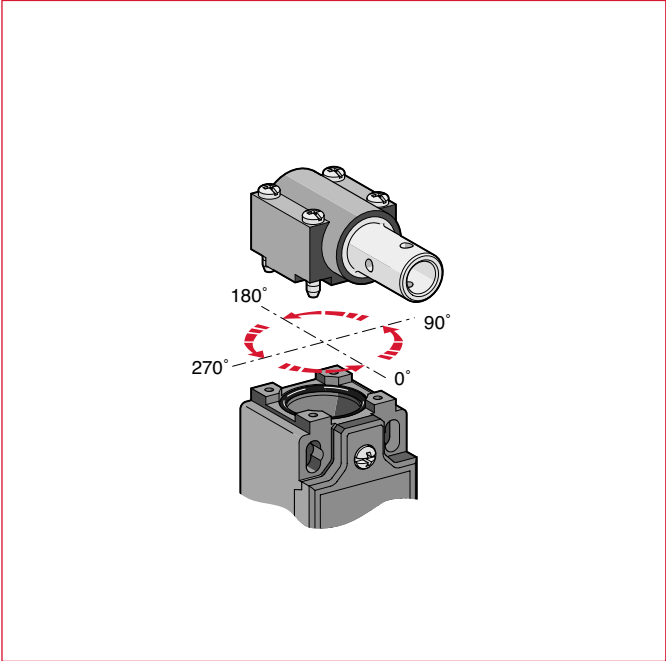
Limit switches with rotative axis  
LS35P75...-S, LS35P76...-S

- Head adjustment every 90°

Limit switches with flush mounting right angle lever  
LS35P77...-S

- Head adjustment every 90°

9



Each lever adjustment has a specific operation diagram.  
(In these examples, the diagrams correspond to an L02 contact block.)

