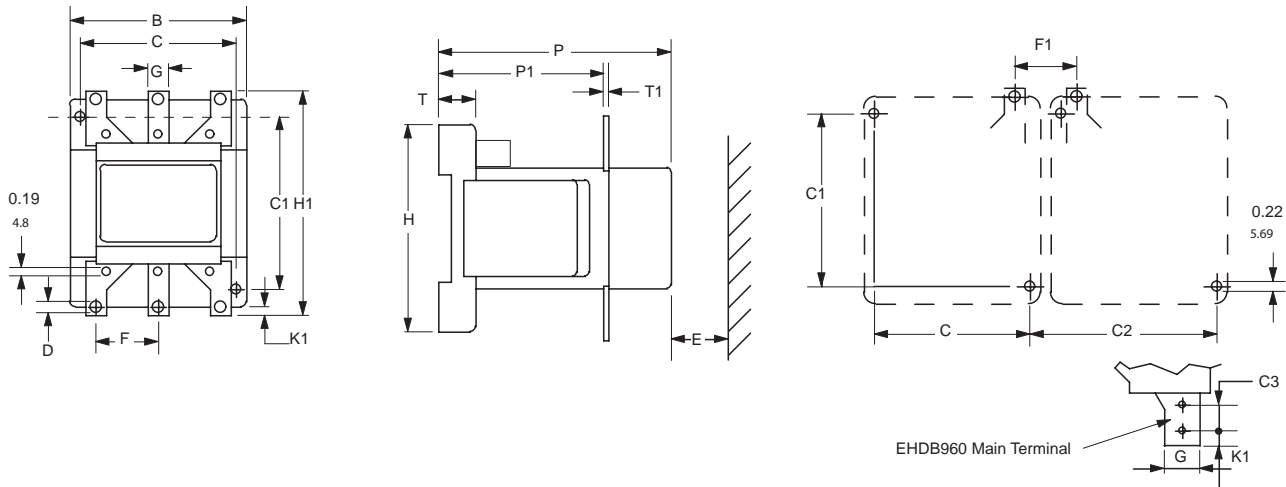


Approximate dimensions Type EHDB 2 & 3 pole; Mounting positions

EHDB220 – EHDB960



DIM.	B				B2	C	C1	C2				E	D	F	G	H	H1	K1	P	P1	T	T1	C3
	1, 2	3	4	①				②	③	④													
	Aux. contact block																						
EHDB220in mm	5.35 136	5.83 148	6.30 160	6.46 164	4.72 120	5.51 140	5.39 137	5.39 137	5.87 149	6.34 161	0.59 15	0.24 6	1.77 45	0.79 20	6.14 156	7.79 198	0.39 10	6.65 169	4.06 103	0.41 10.5	0.20 5	--	--
EHDB280in mm	5.35 136	5.83 148	6.30 160	6.46 164	4.72 120	5.51 140	5.39 137	5.39 137	5.87 149	6.34 161	0.59 15	0.24 6	1.77 45	0.79 20	6.14 156	7.79 198	0.39 10	6.65 169	4.06 103	0.41 10.5	0.20 5	--	--
EHDB360in mm	6.92 176	7.44 189	7.72 196	8.11 206	6.30 160	5.51 140	7.20 183	7.32 186	7.48 190	7.76 197	1.18 30	0.24 6	2.44 62	0.98 25	6.14 156	8.14 207	0.49 12.5	6.88 175	4.21 107	0.7⑤ 19	0.20 5	--	--
EHDB520in mm	7.80 198	8.23 209	8.62 219	8.90 226	6.69 170	7.87 200	7.91 201	7.91 201	8.19 208	8.54 217	1.57 40	0.24 6	2.64 67	0.98 25	8.78 223	10.71 272	0.49 12.5	8.90 226	5.51 140	0.9⑤ 23	0.24 6	--	--
EHDB650in mm	7.80 198	8.23 209	8.62 219	8.90 226	6.69 170	7.87 200	7.91 201	7.91 201	8.19 208	8.54 217	1.57 40	0.24 6	2.64 67	0.98 25	8.78 223	10.71 272	0.49 12.5	8.90 226	5.51 140	0.9⑤ 23	0.24 6	--	--
EHDB800in mm	9.61 244	9.96 253	10.31 262	10.63 270	8.66 220	7.87 200	9.69 246	9.690 254	10.00 254	10.35 263	1.57 40	0.24 6	3.23 82	1.57 40	8.78 223	11.57 294	0.79 20	8.90 226	5.51 140	0.9⑤ 23	0.24 6	--	--
EHDB960in mm	9.61 244	9.96 253	10.31 262	10.63 270	8.66 220	7.87 200	9.69 246	9.690 246	10.00 254	10.35 263	1.57 40	0.24 6	3.23 82	1.57 40	8.78 223	11.57 294	0.79 20	8.90 226	5.51 140	0.9⑤ 23	0.24 6	1.36 34.5	--

- ① Minimum dimension
 - ② Makes distance F1 = F
 - ③ Includes space for three auxiliary contact blocks between the contactors.
 - ④ Includes space for four auxiliary contact blocks between the contactors.
 - ⑤ Damping elements are included.
- NOTE: Screw, nut and washer are included for terminal hardware.

Type DA & EHDB mounting positions

