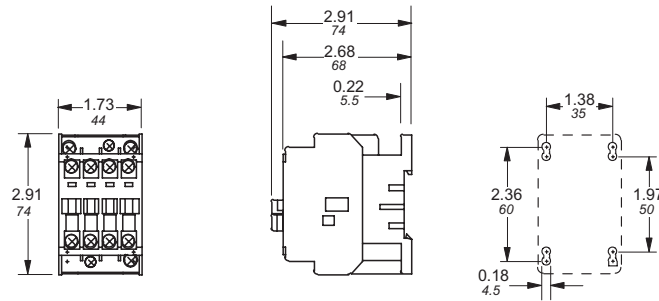


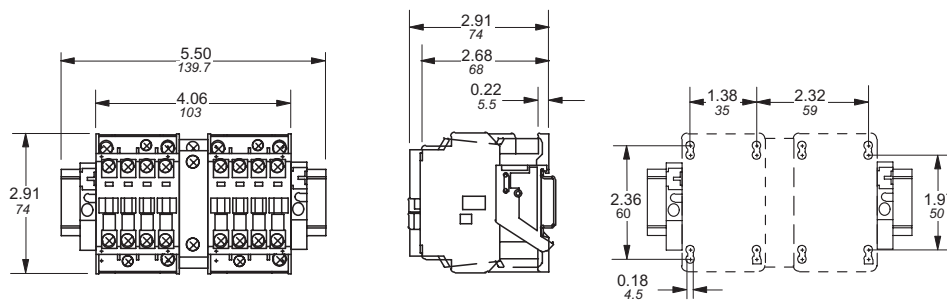
Approximate dimensions 3 pole contactors, A/AE9 – A/AE26

00.00 Inches
00.00 [Millimeters]

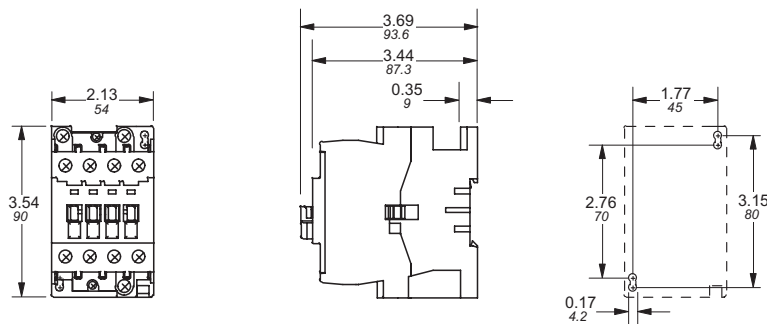
A/AE9 – A/AE16 — Contactor, 3 pole



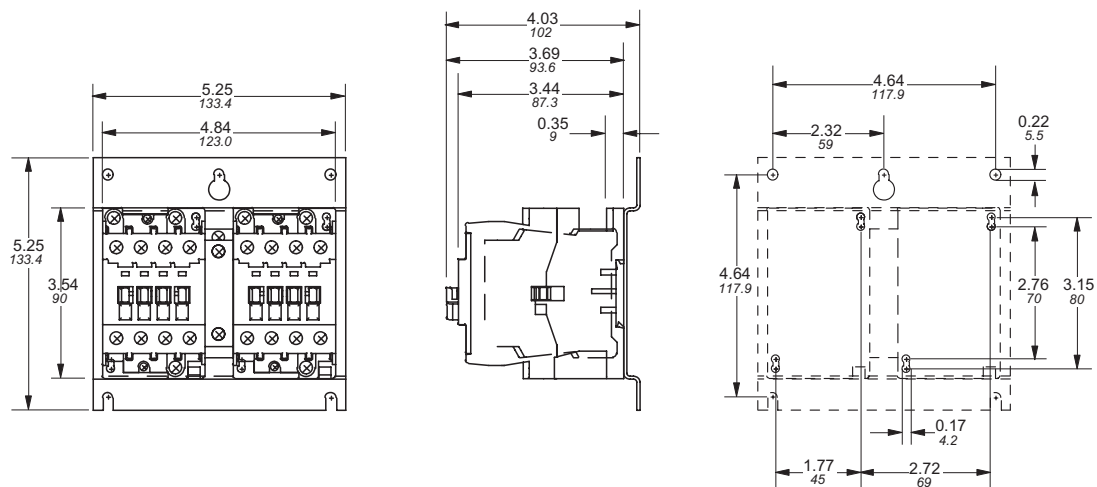
A/AE9 – A/AE16 + VM5 or VE5 — Mechanically interlocked contactor, 3 pole



A/AE26 — Contactor, 3 pole



A/AE26 + VM5 or VE5 — Mechanically interlocked contactor, 3 pole

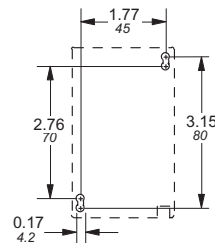
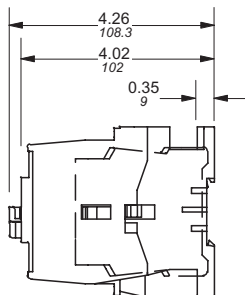
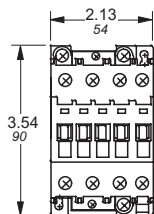


Approximate dimensions

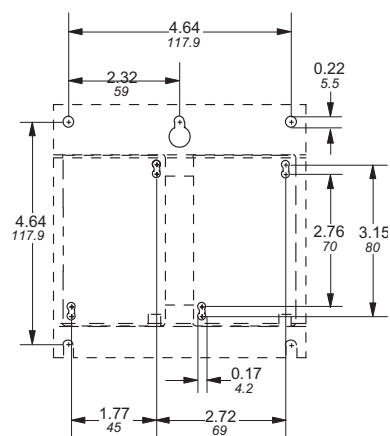
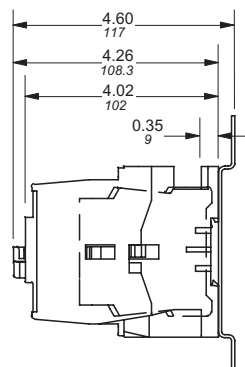
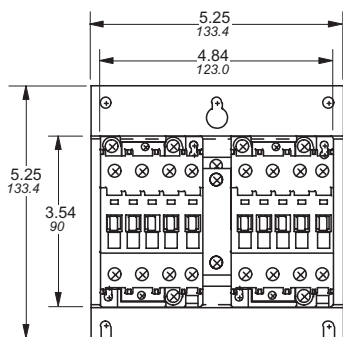
3 pole , A/AE30 – A/AE/AF75

← 00.00 → Inches
00.00 → [Millimeters]

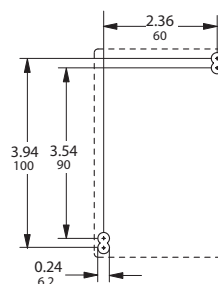
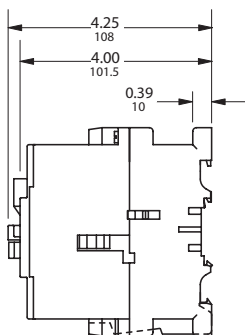
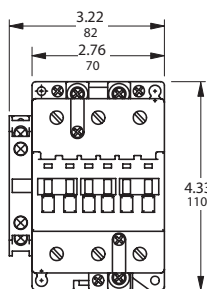
A/AE30 & A/AE40 — Contactor, 3 pole



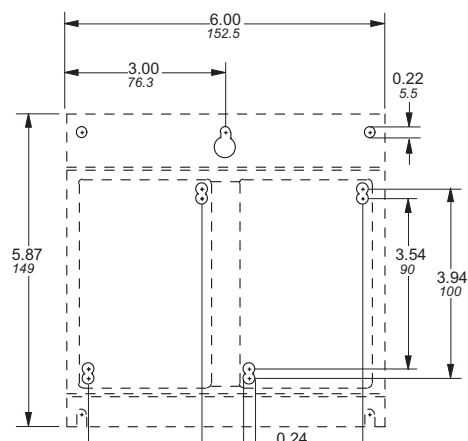
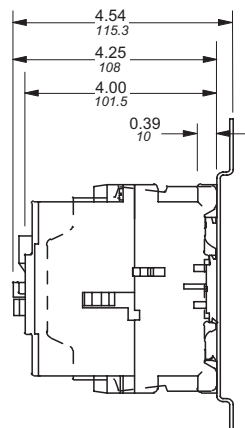
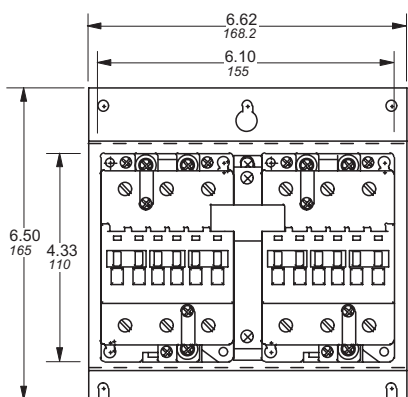
A/AE30 & A/AE40 + VM5 or VE5 — Mechanically interlocked contactor, 3 pole



A/AE/AF50 – A/AE/AF75 — Contactor, 3 pole



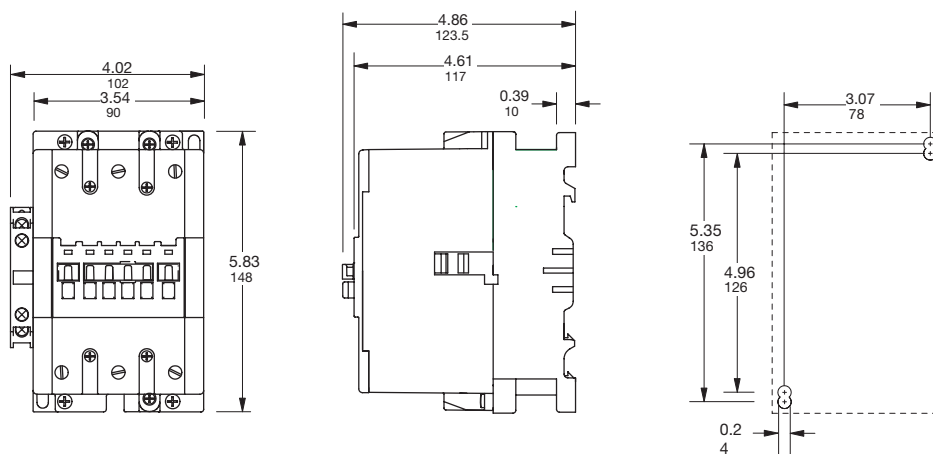
A/AE/AF50 – A/AE/AF75 + VM5 or VE5 — Mechanically interlocked contactor, 3 pole



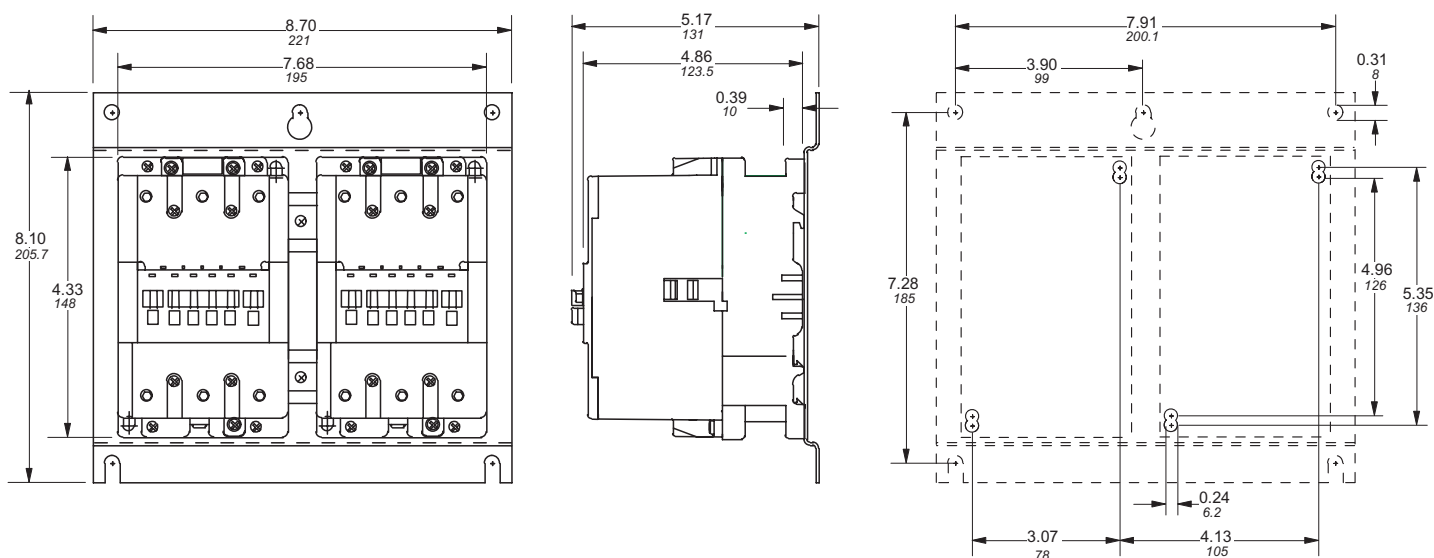
Approximate dimensions 3 pole, A/AE/AF95 & A/AE/AF110

00.00 — Inches
00.00 — [Millimeters]

A/AE/AF95 & A/AE/AF110 — Contactor, 3 pole



A/AE/AF95 & A/AE/AF110 + VE5 — Mechanically interlocked contactor, 3 pole

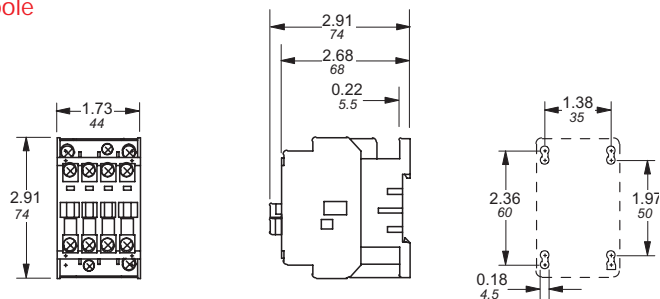


Approximate dimensions

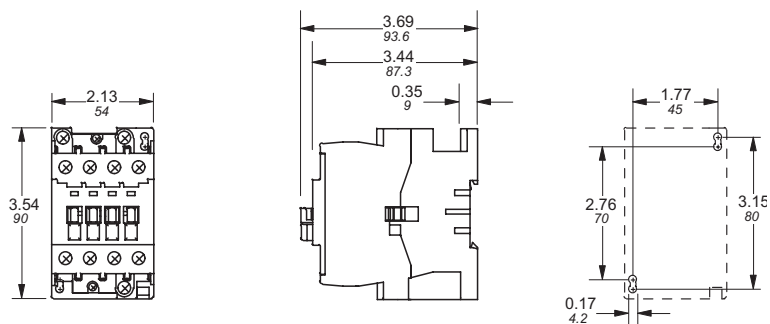
4 pole contactors, A/AE9 – A/AE/AF75

← 00.00 → Inches
00.00 [Millimeters]

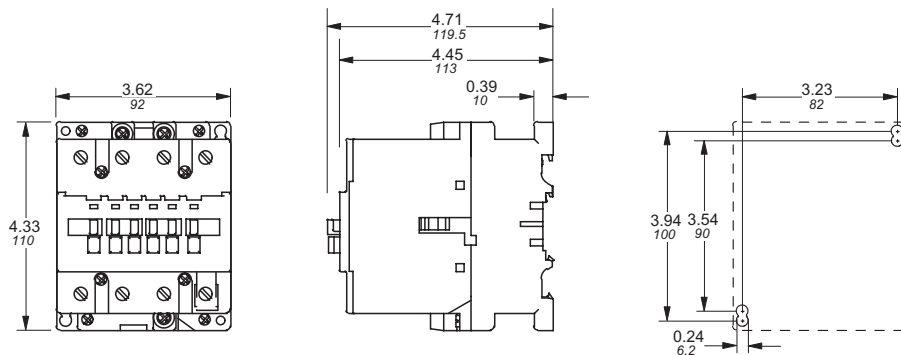
A/AE9 – A/AE16 — Contactor, 4 pole



A/AE26 — Contactor, 4 pole



A/AE/AF45 – A/AE/AF75 — Contactor, 4 pole

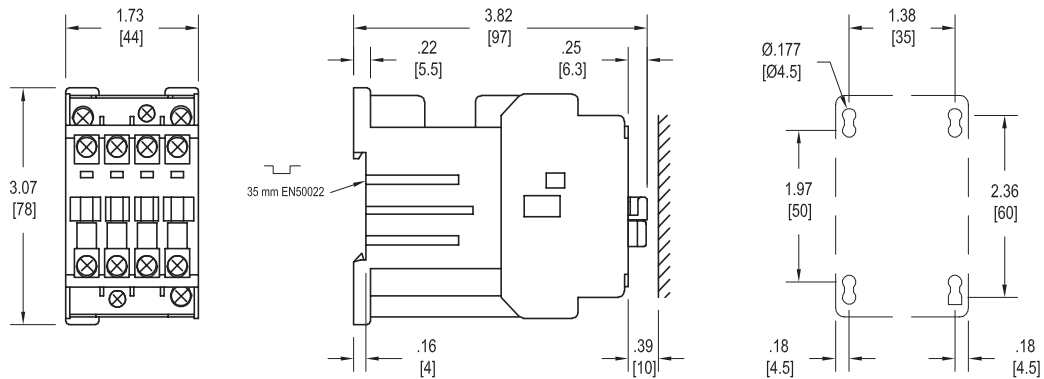


Approximate dimensions 3 & 4 pole contactors, AL9 – AL40

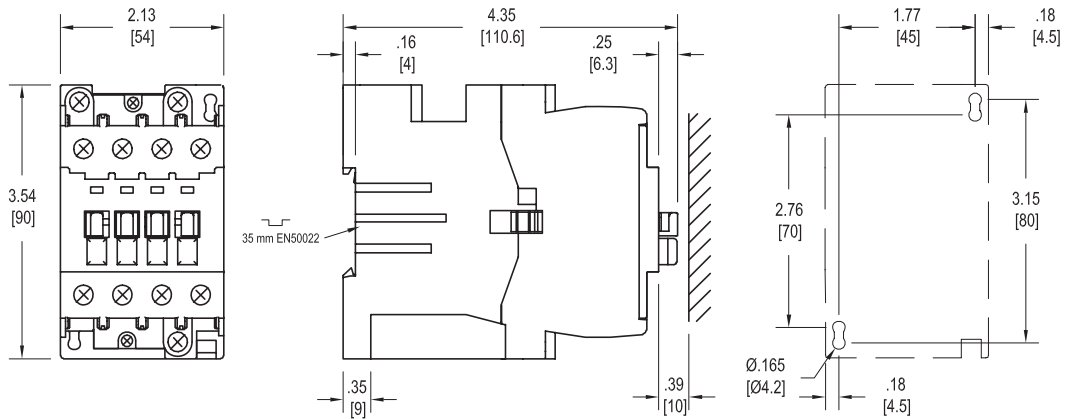
Across the line
1

00.00 — Inches
00.00 — [Millimeters]

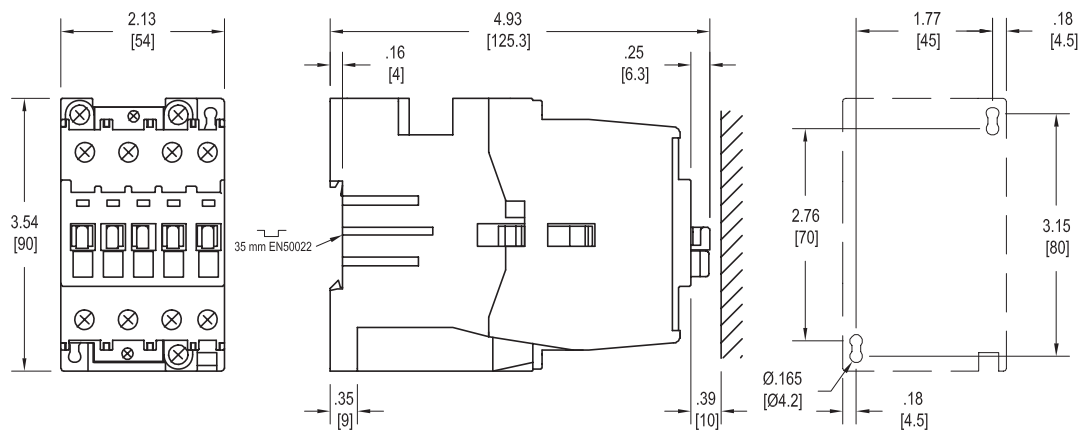
AL9, AL12,, AL16 — Contactor, 3 & 4 pole



AL26 — Contactor, 3 & 4 pole



AL30, AL40 — Contactor, 3 pole

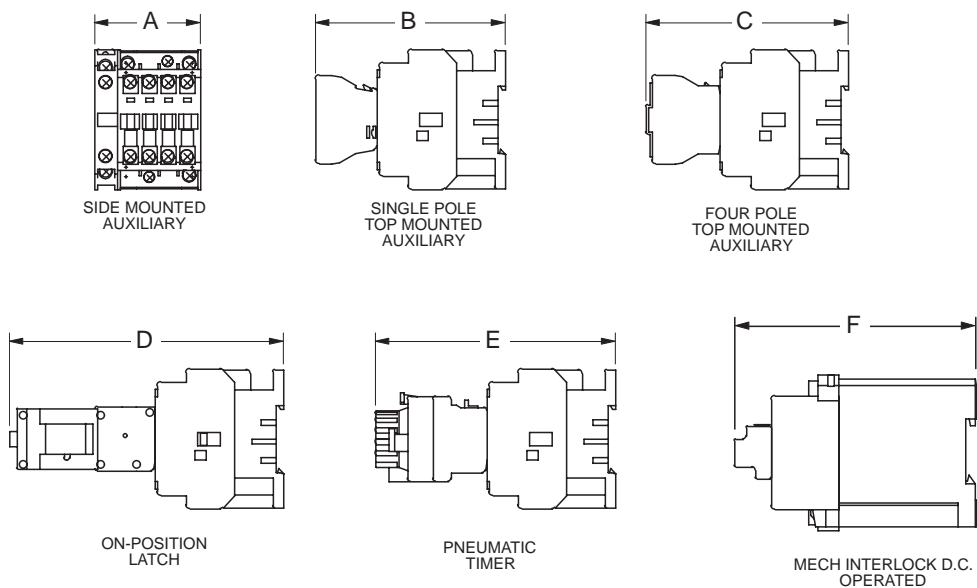


Approximate dimensions

Accessories for A/AE9 – A/AE/AF110

← 00.00 → Inches
00.00 [Millimeters]

A/AE9 – A/AE40
A/AE/AF50 – A/AE/AF110

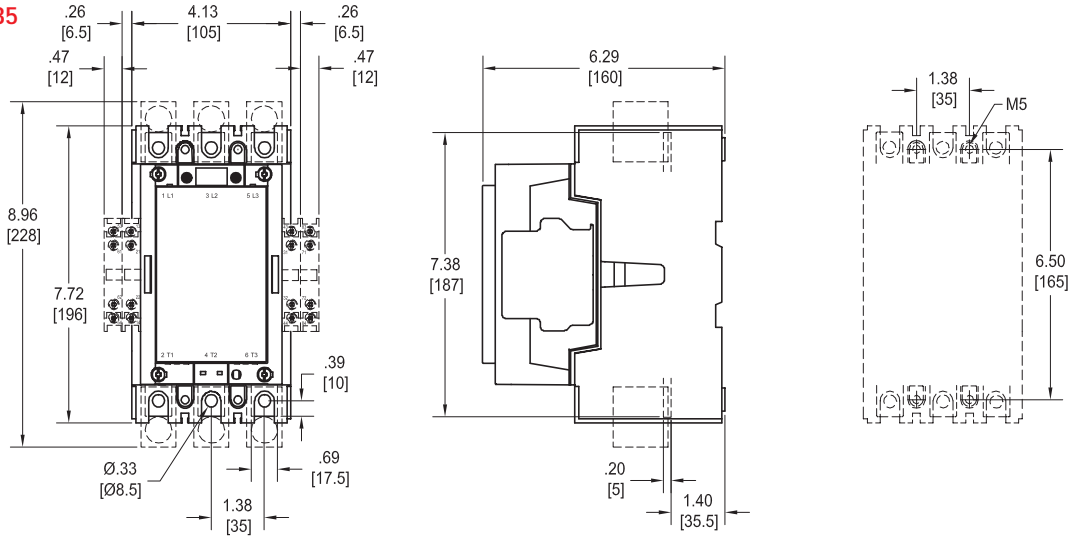


TYPE		A	B	C	D	E	F
A/AE9-16	IN	2.20	3.96	4.21	5.71	5.00	–
	MM	56	100.5	107	145	127	–
A/AE26	IN	2.20	4.72	4.97	6.47	5.76	–
	MM	56	119.8	126.3	164.3	146.3	–
A/AE30-40	IN	2.20	5.30	5.55	7.05	6.34	–
	MM	56	134.5	141	179	161	–
A/AE/AF50-75	IN	3.23	5.27	5.52	7.03	6.32	–
	MM	82	133.9	140.3	178.5	160.4	–
A/AE/AF45	IN	4.09	5.73	5.98	7.48	6.77	–
	MM	104	145.5	152	190	172	–
A/AE/AF95-110	IN	4.02	5.91	6.16	–	–	–
	MM	102	150	156.5	–	–	–

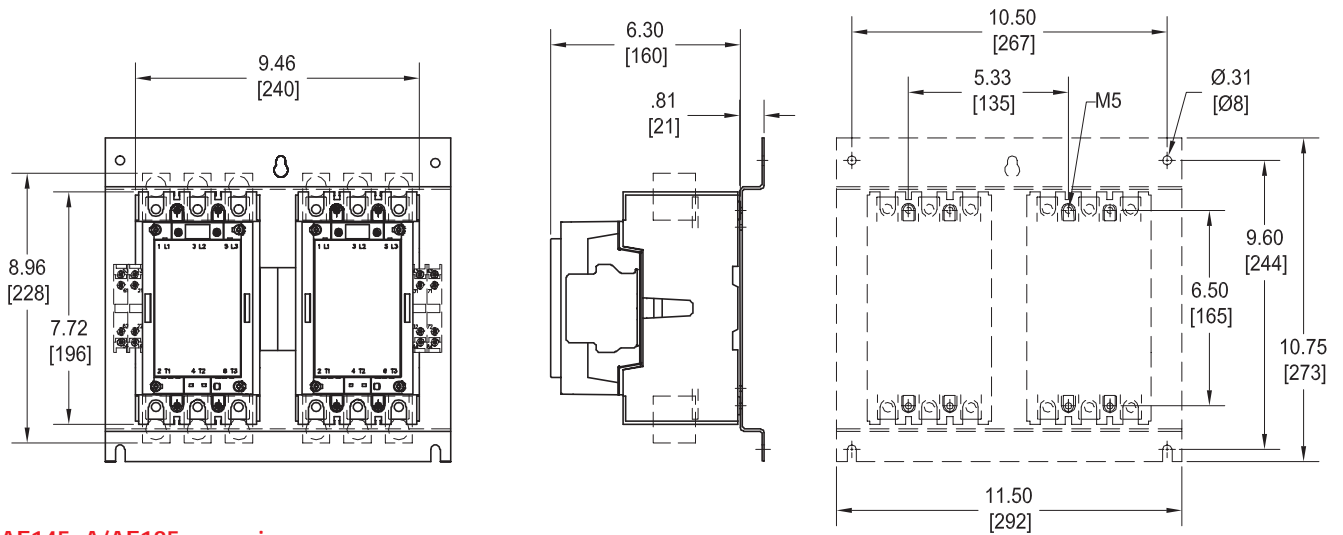
Approximate dimensions A/AF145 – A/AF185

00.00 Inches
00.00 [Millimeters]

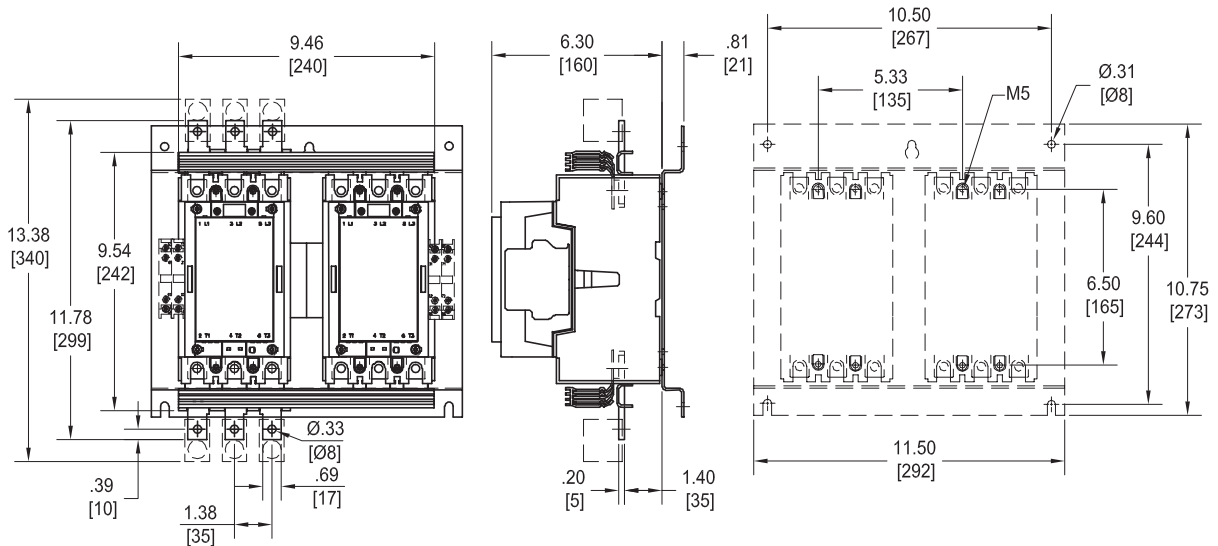
A/AF145 & A/AF185



A/AF145, A/AF185 with mechanical interlock



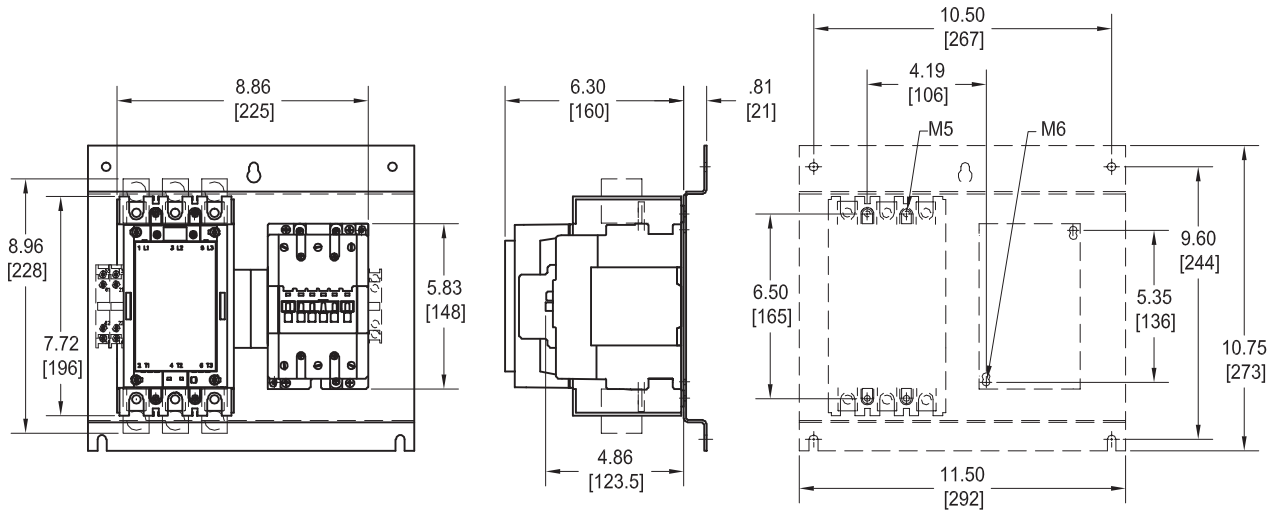
A/AF145, A/AF185 reversing



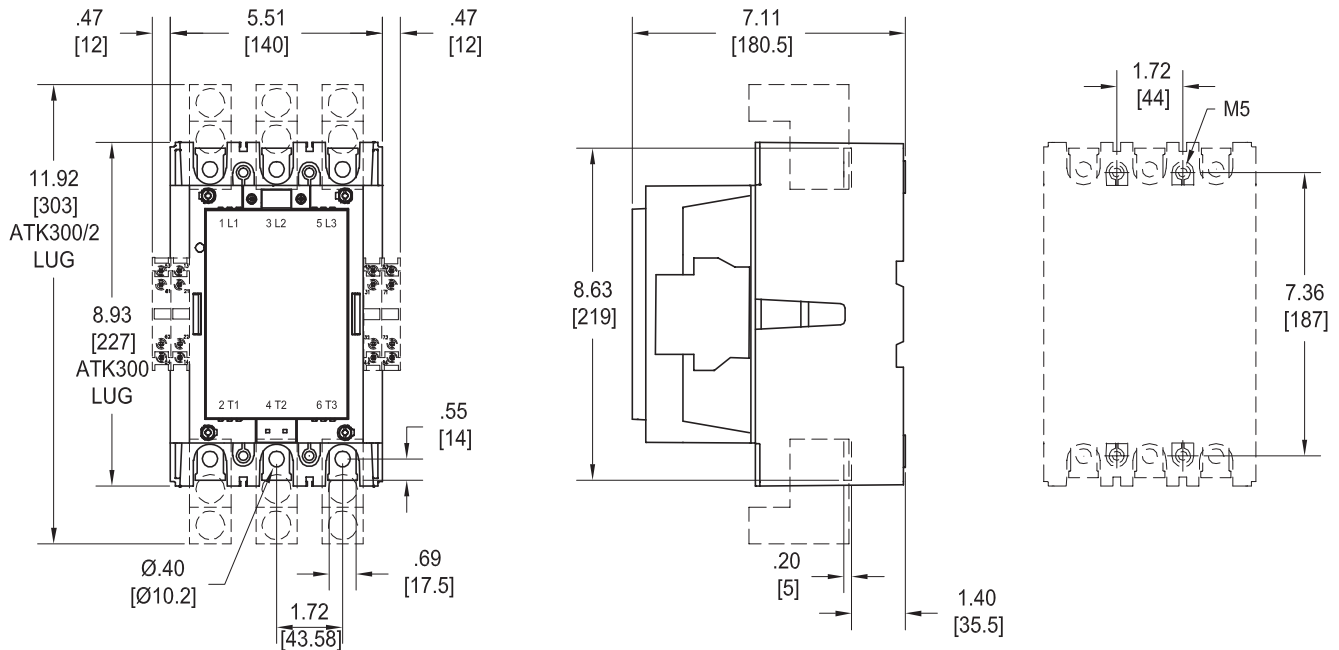
Approximate dimensions A/AF145 – A/AF300

← 00.00 → Inches
00.00 → [Millimeters]

A/AF145 – A/AE/AF95-110 mechanically interlocked



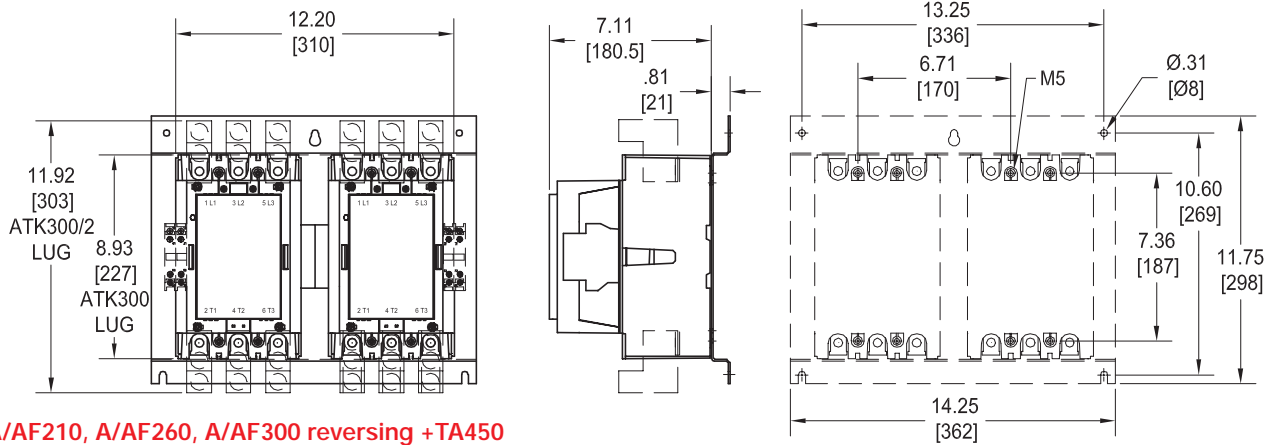
A/AF210, A/AF260, A/AF300



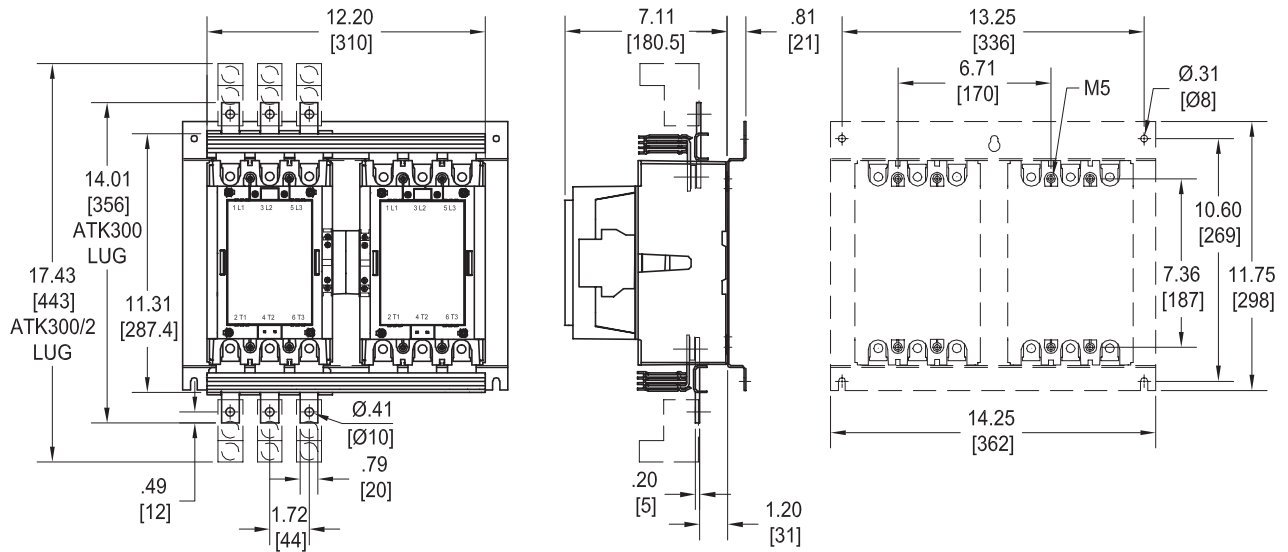
Approximate dimensions A/AF210 – A/AF300

00.00 — Inches
00.00 — [Millimeters]

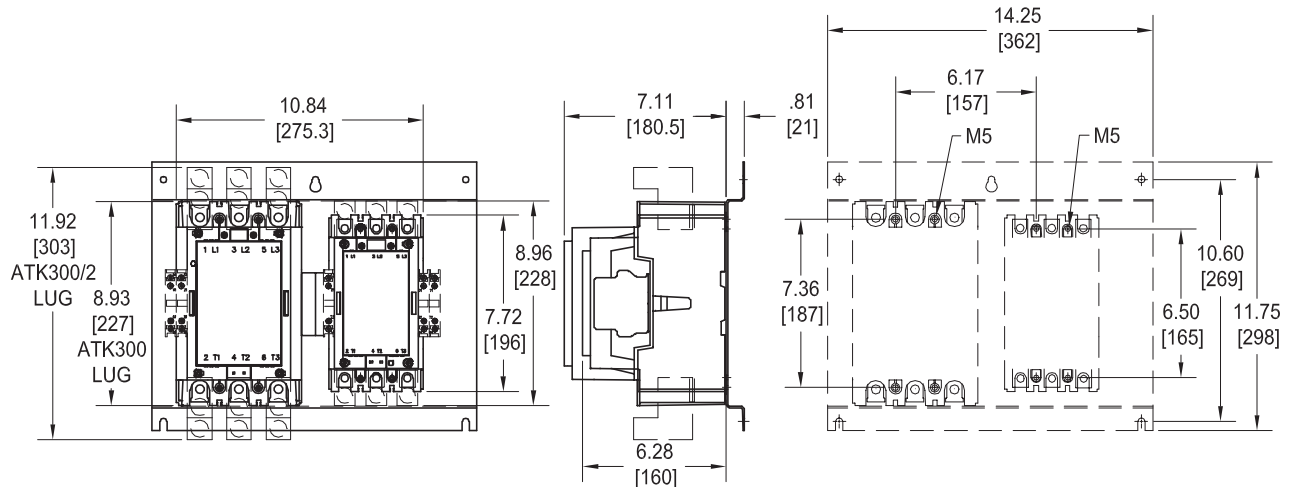
A/AF210, A/AF260, A/AF300 with mechanical interlock



A/AF210, A/AF260, A/AF300 reversing +TA450



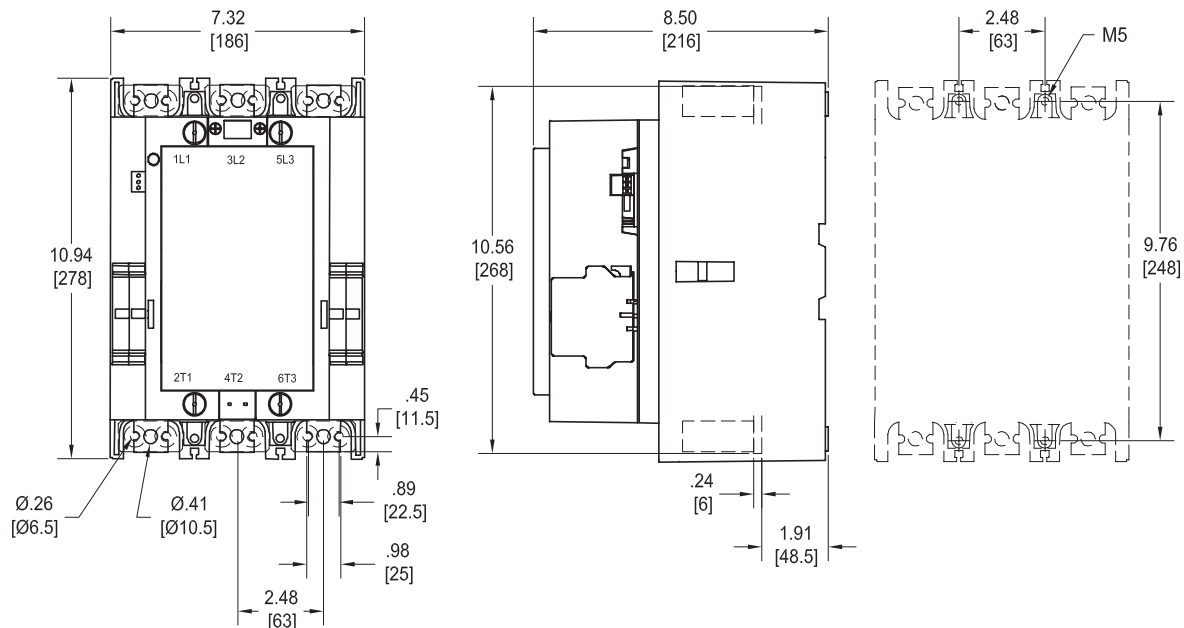
A/AF210, A/AF145 with mechanical interlock



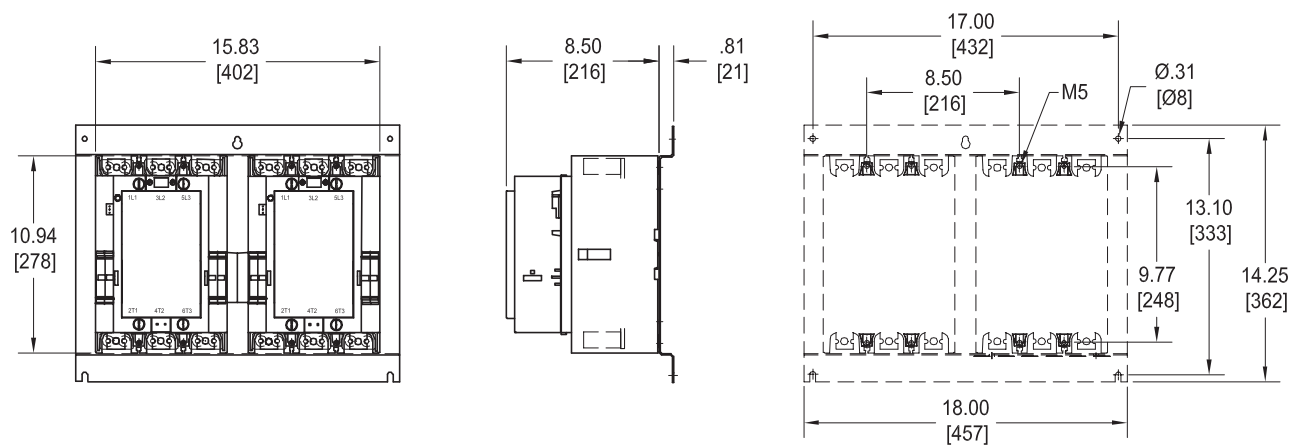
Approximate dimensions AF400 – AF460

← 00.00 → Inches
00.00 → [Millimeters]

AF400, AF460



AF400, AF460 with mechanical interlock

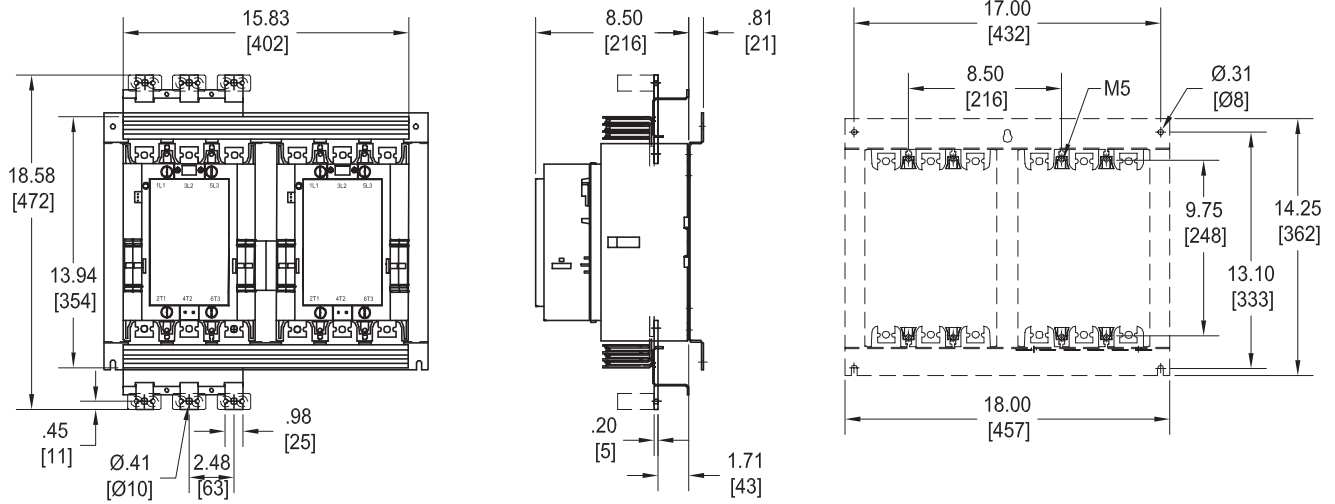


Approximate dimensions AF400 – AF750

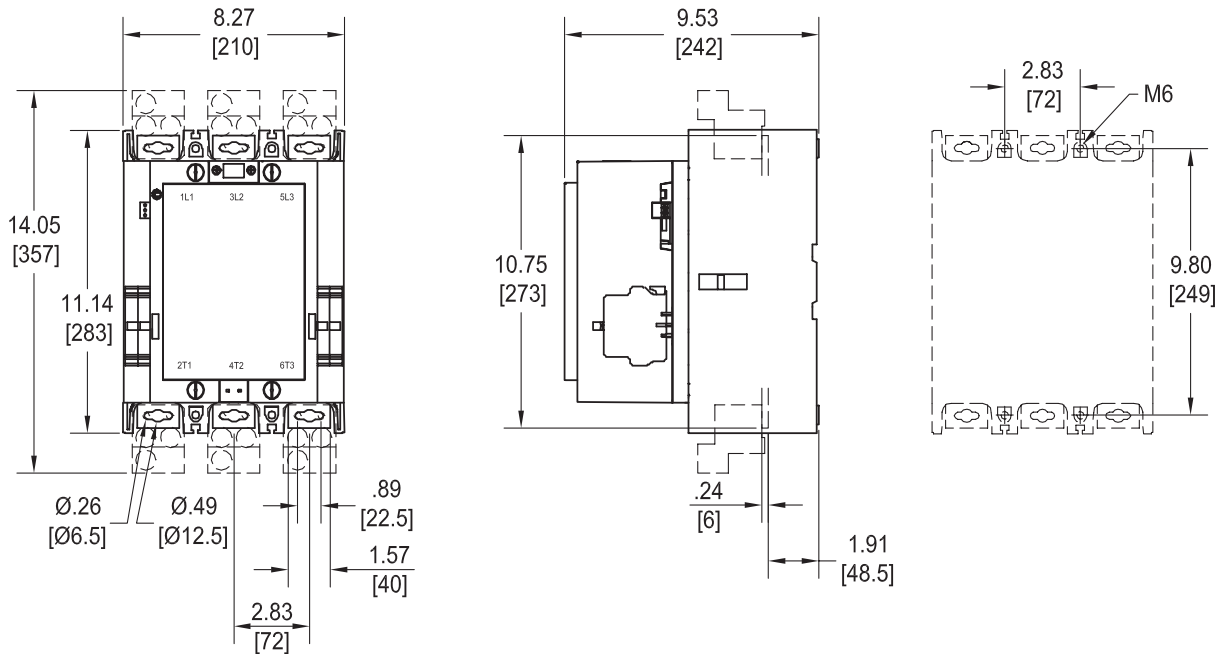
Across the line
1

00.00 Inches
00.00 [Millimeters]

AF400, AF460 reversing



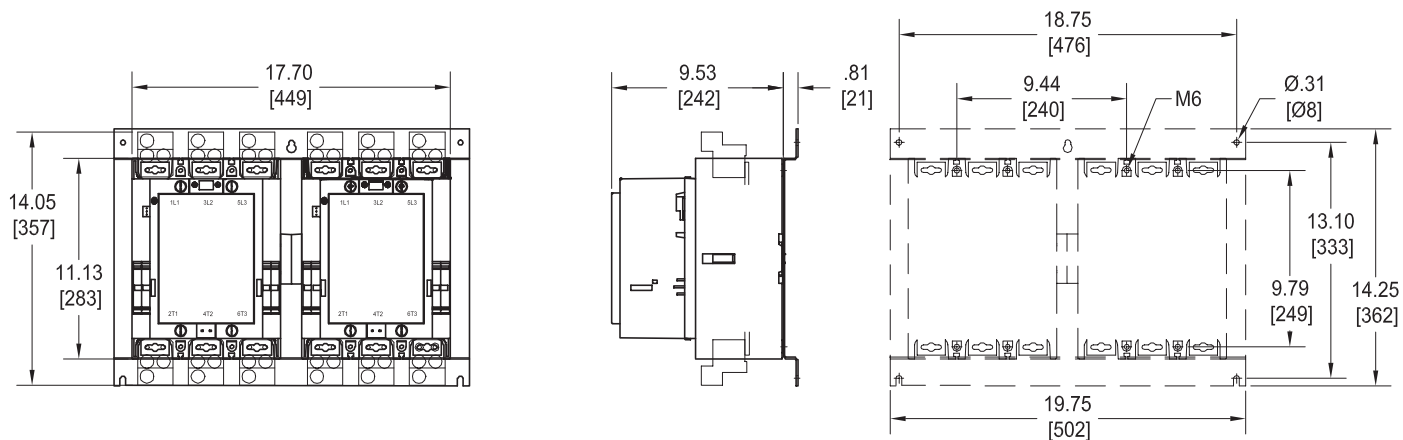
AF580 – AF750



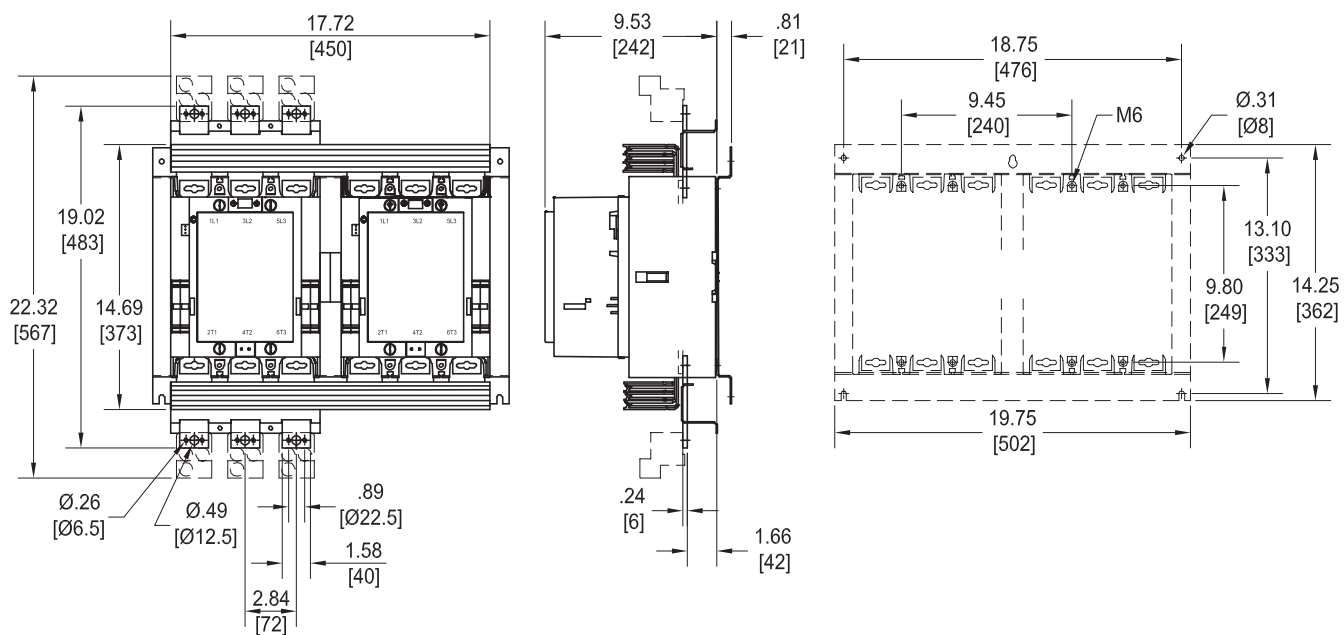
Approximate dimensions AF580 – AF750

← 00.00 → Inches
00.00 → [Millimeters]

AF580 – AF750 with mechanical interlock



AF580 – AF750 reversing



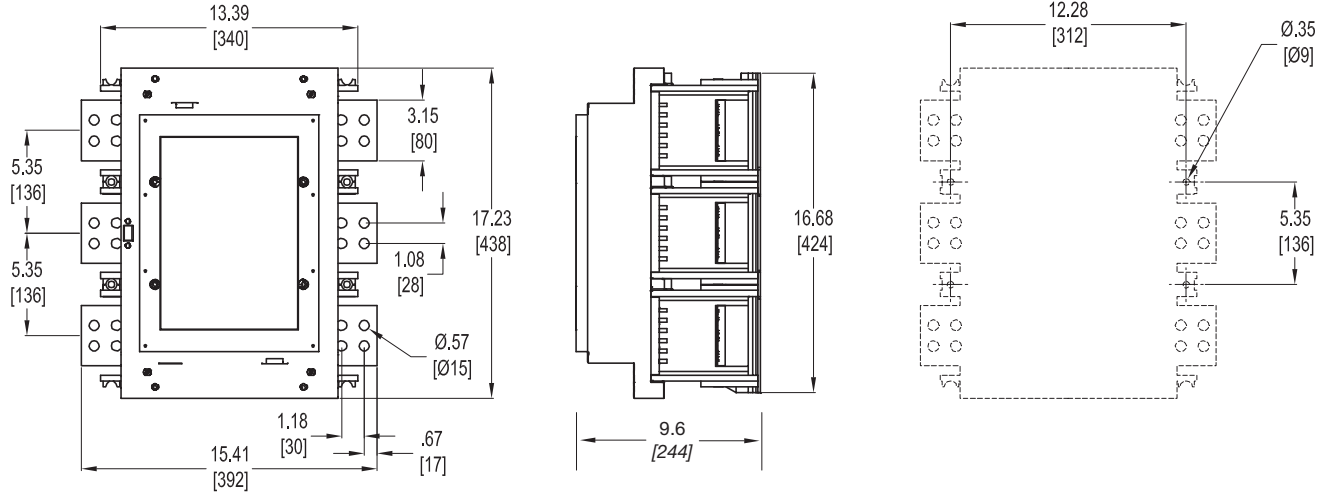
Approximate dimensions AF1350 – AF1650

Across the line
contactors

1

00.00 Inches
00.00 [Millimeters]

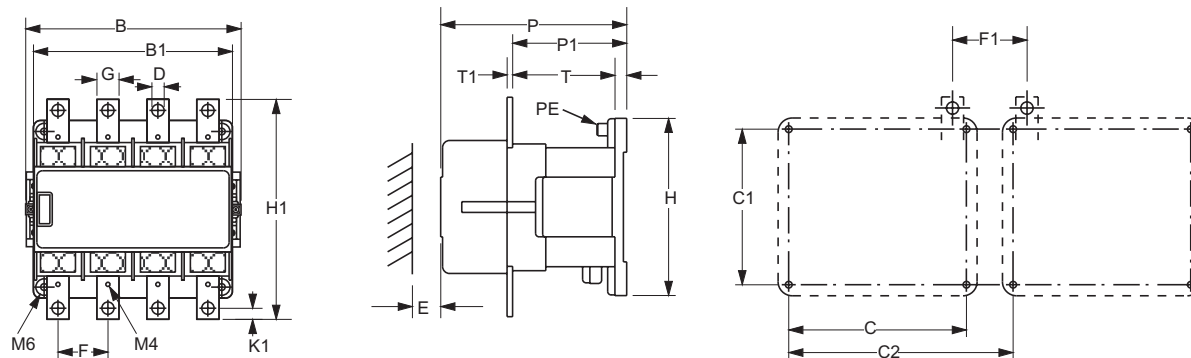
AF1350 – AF1650



Approximate dimensions

EK110 – EK550, 4 pole, non-reversing

← 00.00 → Inches
00.00 → [Millimeters]



		B	B1	C	C1	D	E	F	F1	G	H	H1	K1	P	P1	T	T1
EK 110	in	6.50	5.35	4.72	5.51	0.26	1.57	1.61	1.69	0.59	6.14	6.14	0.30	6.08	4.03	0.39	0.16
	mm	165	136	120	140	6.6	40	41	43	15	156	156	7.5	154.5	102.3	10	4
EK 150	in	6.50	5.35	4.72	5.51	0.43	1.57	1.65	1.65	0.79	6.14	6.77	0.39	6.08	4.03	0.39	0.16
	mm	165	136	120	140	11	40	42	42	20	156	172	10	154.5	102.3	10	4
EK 175	in	7.91	6.93	6.30	5.51	0.43	0.59	1.77	2.64	0.79	6.14	7.80	0.39	6.77	4.20	0.39	0.20
	mm	201	176	160	140	11	15	45	67	20	156	198	10	172	106.7	10	5
EK 210	in	7.91	6.93	6.30	5.51	0.43	0.59	1.77	2.64	0.79	6.14	7.80	0.39	6.77	4.20	0.39	0.20
	mm	201	176	160	140	11	15	45	67	20	156	198	10	172	106.7	10	5
EK 370	in	10.63	9.61	8.66	7.87	0.43	1.57	2.64	2.76	0.98	8.78	10.71	0.49	8.88	5.49	0.91	0.24
	mm	270	244	220	200	11	40	67	70	25	223	272	12.5	225.5	139.5	23	6
EK 550	in	10.63	9.61	8.66	7.87	0.43	1.57	2.64	2.76	0.98	8.78	10.71	0.49	8.88	5.49	0.91	0.24
EK 1000	mm	270	244	220	200	11	40	67	70	25	223	272	12.5	225.5	139.5	23	6