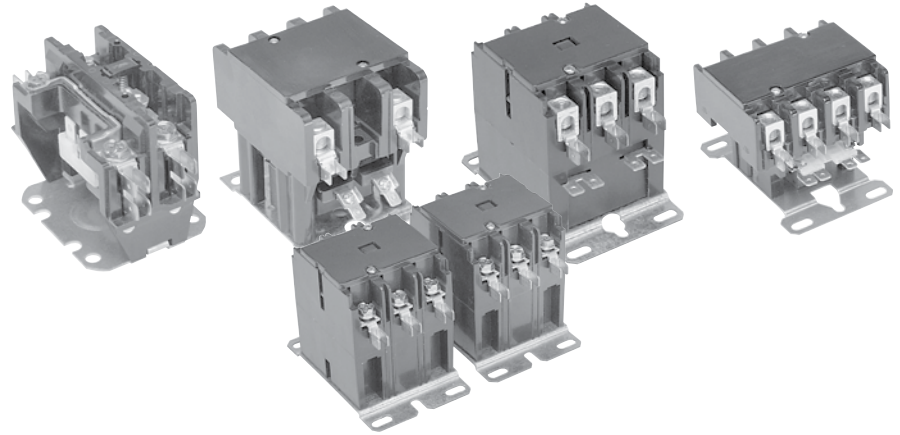




# Definite purpose Contactors



### Applications

Type DP contactors provide high performance with flexibility and reliability, designed to match numerous applications including:

- Motors
- Power supplies
- Food service equipment
- Compressors
- Business machines
- Resistive heating
- Air conditioning
- Refrigeration equipment
- Welding

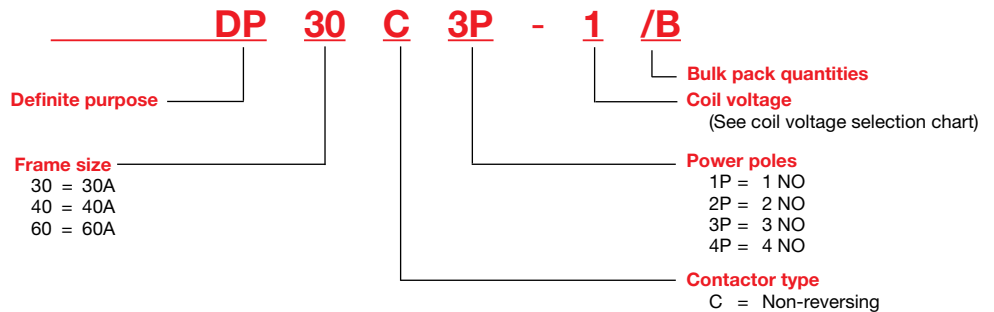
### Agency approvals

- UL 508 Guide No. NLDX2, File # E224401
- CE/Semko Certified
- EN60947-4-1:1991
- IEC 947-4-1

### Features

- Available as:
  - 30A, 1, 2, 3 or 4 pole
  - 40A, 1, 2, 3 or 4 pole
  - 60A, 3 pole
- Industry standard mounting plate provides easily accessible mounting holes
- Coil terminals are provided with #6-32 screws and (1) .250 quick connect or dual .250 quick connect terminals
- Exclusive hex, slotted, phillips #10-32 terminal screws for main terminals
- Coil is Class B (130° C) Insulation system with wide range of voltages and 50/60 Hz ratings
- Double E Magnet Assembly provides optimal performance with reduced power consumption
- Snap-in auxiliary switch with 1 SPDT or 2 SPDT contacts available as an option
- 1 NO & 1 NC auxiliary contact block with 600 VAC rating available as an option
- Base assembly is made from high arc-resistant plastic

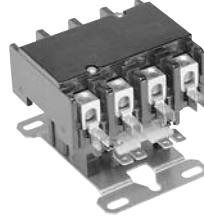
### Catalog number explanation



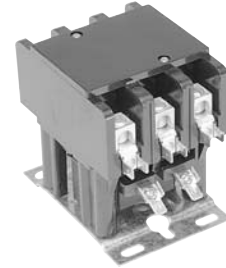
## 30A, 40A & 60A



DP30C3P-F



DP40C4P-F



DP60C3P-F

### 30A, 40A & 60A

Full load amps	Number of poles	Locked rotor amps			Resistive amps	Maximum HP 1 phase		Maximum HP 3 phase				Bulk pack	Catalog number qty.	Individual pack list price	Bulk pack list price
		240/277V	480V	600V		120V	240V	200/208V	240/277V	480V	600V				
30	1	150	75	50	40	1	2	—	—	—	—	50	DP30C1P-F	\$ 30	\$ 27
30	2	150	125	100	40	2	3	—	—	—	—	50	DP30C2P-F	38	34
30	3	180	150	120	40	2	5	10	10	15	20	25	DP30C3P-F	55	50
30	4	180	150	120	40	2	5	10	10	10	—	25	DP30C4P-F	75	68
40	2	240	200	160	50	2	3	—	—	—	—	50	DP40C2P-F	46	42
40	3	240	200	160	50	3	7.5	10	10	20	25	25	DP40C3P-F	60	54
40	4	240	200	160	50	3	7.5	10	10	10	—	25	DP40C4P-F	100	90
60	3	360	300	240	75	2	10	25	25	30	30	24	DP60C3P-F	147	140

### Coil voltage selection chart

Voltage	24VAC	120VAC	208/240VAC	277VAC	480VAC	575VAC
Suffix #	F	1	2	C	4	5

### Coil voltage selection

All catalog numbers include a 24VAC coil. To select other coil voltages, substitute the code from the Coil Voltage Selection Chart for the first digit after the dash in the catalog number.

### Auxiliary contact blocks (3 pole only)

Description	Catalog number 30A - 40A	Catalog number 60A	List price
NO or NC SPDT 1 NO & 1 NC	CADP40-10 CADP40-11	CADP60-10 —	\$ 10

### Contact rating of 1 NO & 1 NC

		120V	240V	480V	600V
Break	A	3.0	1.5	.75	.6
Make	A	30	15	7.5	6
Continuous	A	10	10	10	10

Quick connect terminals on all auxiliary switches are .250 wide.

### Contact rating of SPDT

Voltage	Current rating
125VAC	10A, 1/3 HP
120VAC	4A on lamp load
250VAC	10A, 1/3 HP
125VDC	.5A
250VDC	.25A

### Ordering bulk quantities

To order bulk package quantities add "/B" to the end of the catalog number.

Example: For quantities of 25 of a 30A 3 pole contactor with 24VAC coil, the catalog number would be: DP30C3P-F/B

### Mechanical interlock

Frame size	Catalog number	List price
DP30 DP40	VMDP-1	\$ 7

① Must be ordered in standard pack quantities as shown. Add suffix "/B" to the catalog number.

# Technical data

## 30A – 60A

### 1, 2, 3, & 4 Pole

Definite purpose  
contactors

1

#### 30A – 40A — 1 & 2 pole

Coil technical data		DP30C1P				DP30, DP40C2P			
Nominal coil voltage		24	120	208/240	277	24	120	208/240	277
Maximum pickup volts		18	88	177	221	18	88	177	221
Drop-out volts range		6 – 15	20 – 70	40 – 170	50 – 165	6 – 15	20 – 70	40 – 140	50 – 165
Nominal inrush VA	50 Hz	31	31	35	31	22	22	22	22
Nominal inrush VA	60 Hz	28	28	32	28	20	20	20	20
Nominal sealed VA	50 Hz	6	6	7	6	5.5	5.5	5.5	5.5
Nominal sealed VA	60 Hz	5	5	6	5	4.5	4.5	4.5	4.5
Nominal DC resistance	Ohms	17.5	450	1800	2252	13	275	1056	1772
Other specifications		DP30C1P				DP30, DP40C2P			
Line and load terminals		# 10 – 32 screw ①				Box lug ①			
Wire size AWG min – max		16 – 8 ②				14 – 4 Cu/Al			
Tightening torque (recommended)		22 in. lbs.				40 in. lbs			
Coil termination		Dual .250 QC (2)				Dual .250 QC (2)			
Quick connects .250 std. 1 – 1.5 pole		Quad				Quad			
Quick connects .250 std. 2 pole		Dual or quad				Dual or quad			
Covers		Standard				Standard			
Insulation system		130° C Class B				130° C Class B			

#### 30A – 60A — 3 pole

Coil technical data		DP30, DP40C3P				DP60C3P					
Nominal coil voltage		24	120	208/240	277	480	24	120	208/240	277	480
Maximum pickup volts		18	88	177	220	384	18	93	177	235	374
Drop-out volts range		6 – 15	20 – 70	40 – 140	65 – 185	150 – 270	6 – 15	20 – 70	40 – 135	50 – 180	150 – 286
Nominal inrush VA	50 Hz	65	65	65	65	65	140	140	140	140	140
Nominal inrush VA	60 Hz	60	60	60	60	60	132	132	132	132	132
Nominal sealed VA	50 Hz	7.5	7.5	7.5	7.5	7.5	20	20	20	20	20
Nominal sealed VA	60 Hz	6	6	6	6	6	14	14	14	14	14
Nominal DC resistance	Ohms	6.6	165	660	880	1320	2.4	45	180	280	852
Other specifications		DP30C3P				DP40C3P		DP60C3P			
Line and load terminals		# 10 – 32 Screw ①				Box lug ①		Box lug ①			
Wire size AWG min – max		16 – 8 ②				14 – 7 Cu/Al		14 – 2 Cu/Al			
Tightening torque (recommended)		22 in. lbs				40 in. lbs		50 in. lbs			
Quick connects: power terminals		Dual.250 QC				Dual.250 QC		Dual.250 QC			
Coil terminals		Dual .250 QC (2)				Dual .250 QC (2)		#6 – 35 screw & .250 QC (2)			
Covers		Standard				Standard		Standard			
Insulation system		130° C Class B				130° C Class B		130° C Class B			

#### 30A – 40A — 4 Pole

Coil technical data		DP30, DP40C4P					
Nominal coil voltage		24	120	208/240	277	480	
Maximum pickup volts		19.2	88	177	220	384	
Drop-out volts range		6 – 15	20 – 70	40 – 140	65 – 185	150 – 270	
Nominal inrush VA	50 Hz	68	68	68	68	68	
Nominal inrush VA	60 Hz	60	60	60	60	60	
Nominal sealed VA	50 Hz	14	14	14	14	14	
Nominal sealed VA	60 Hz	9	9	9	9	9	
Nominal DC resistance	Ohms	5	148	550	750	2100	
Other specifications		DP30C4P				DP40C4P	
Line and load terminals		# 10 – 32 screw ①				Box Lug	
Wire size AWG Min – Max		16 – 8 ②				14 – 4 Cu/AL	
Tightening torque (recommended)		22 in. lbs				40 in. lbs	
Quick connects: power terminals		Dual .250 QC				Dual .250 QC	
Coil terminals		Dual .250 QC (2)				Dual .250 QC (2)	
Covers		Optional				Standard	
Insulation system		130° C Class B				130° C Class B	

① See page 1.82 to 1.85 for description and approximate dimensions.  
 ② Stranding must be split for #8 wire.

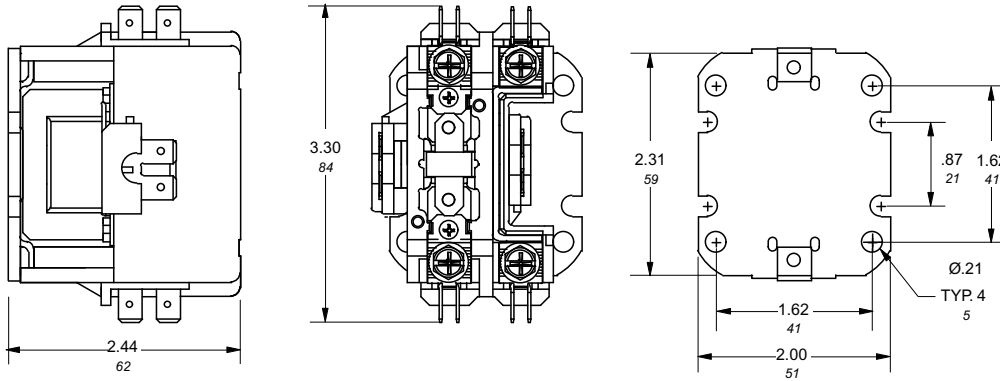
# Approximate dimensions

## 30A

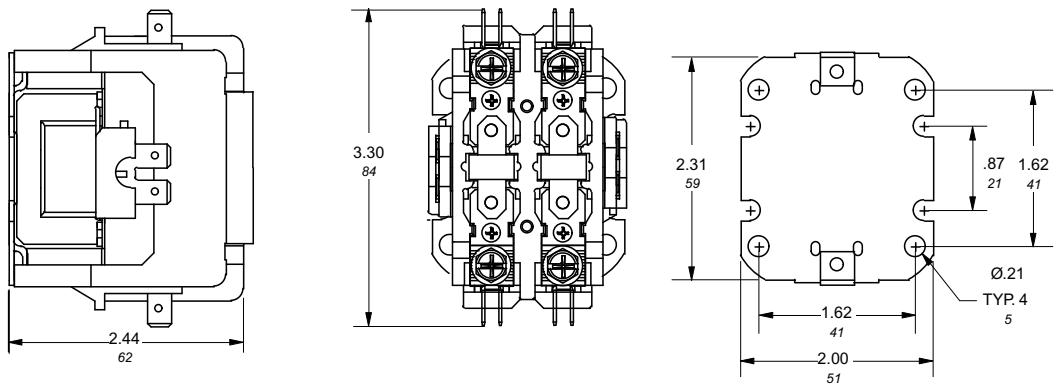
### 1, 2 & 3 Pole

← 00.00 → Inches  
00.00 → [Millimeters]

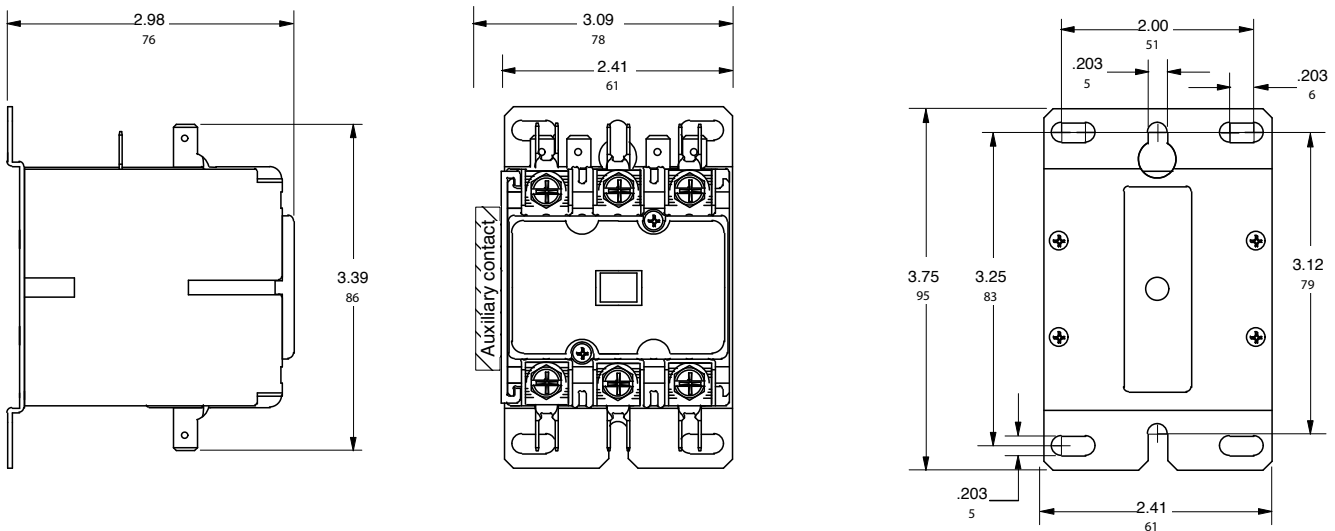
#### DP30C1P



#### DP30C2P



#### DP30C3P

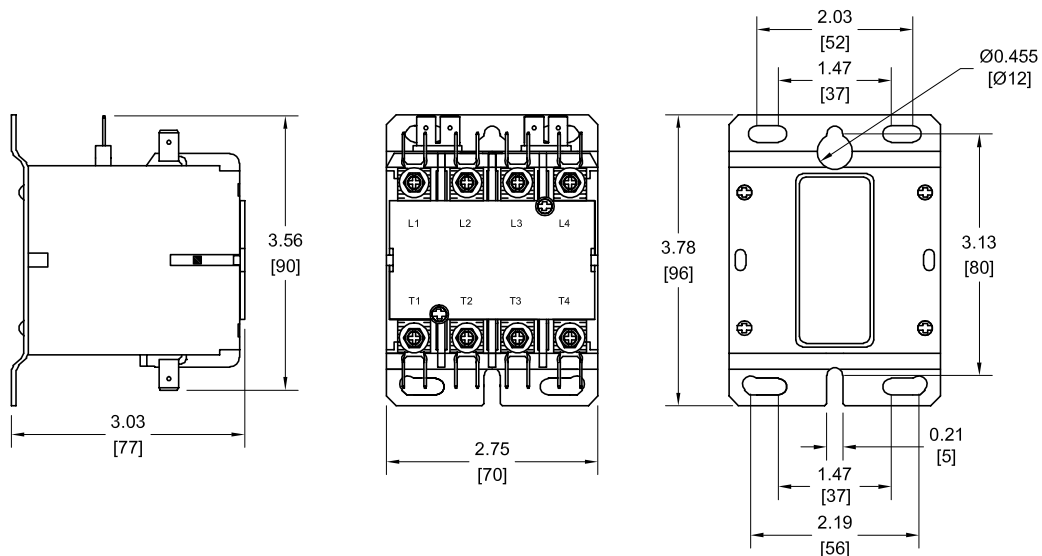


## Approximate dimensions

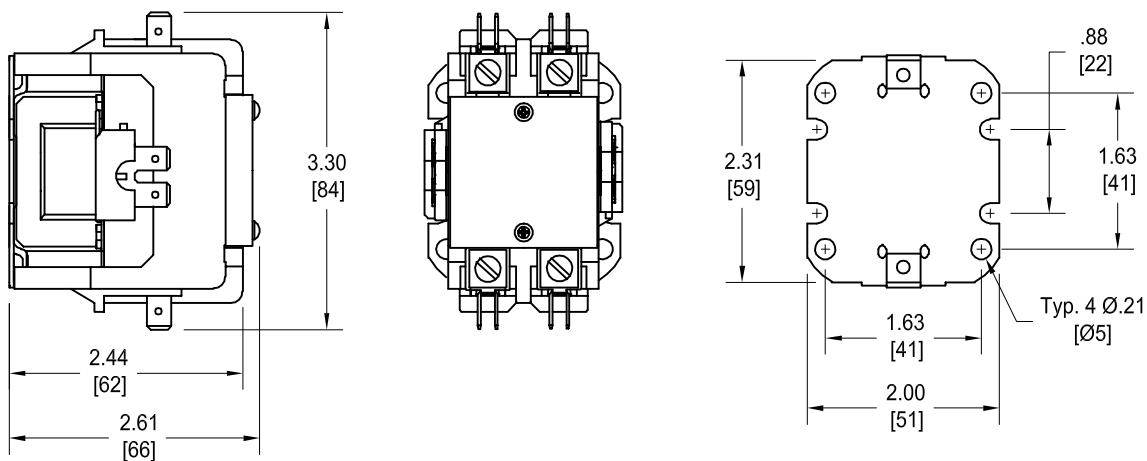
30A 4 Pole  
40A 2 & 3 Pole

00.00 Inches  
00.00 [Millimeters]

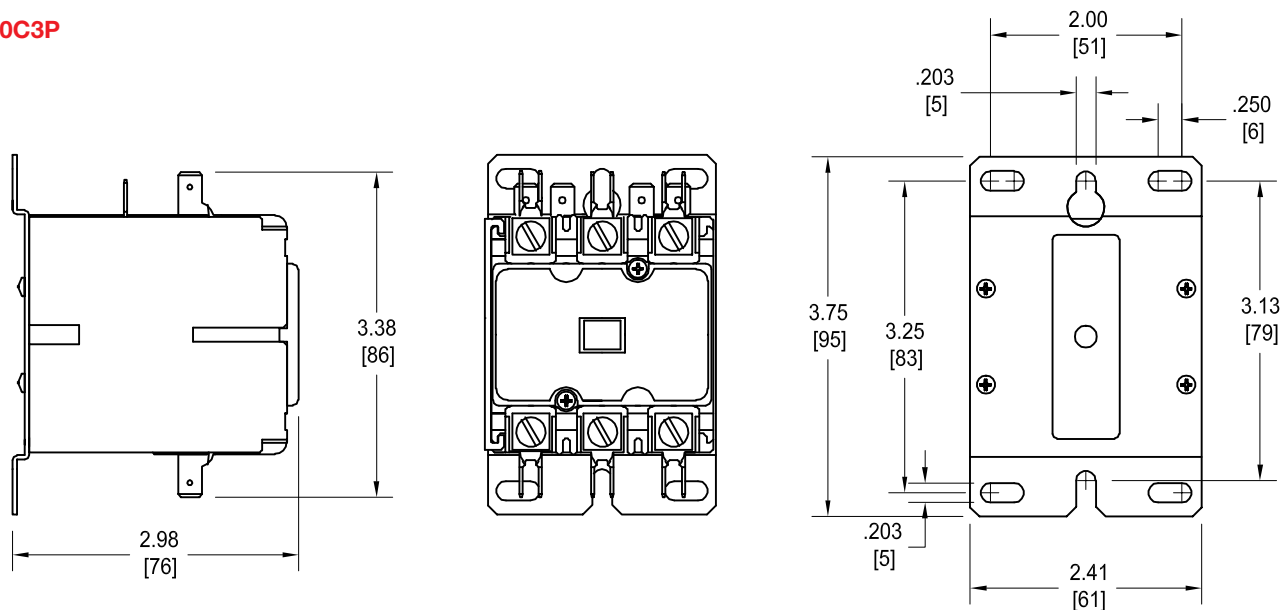
### DP30C4P



### DP40C2P



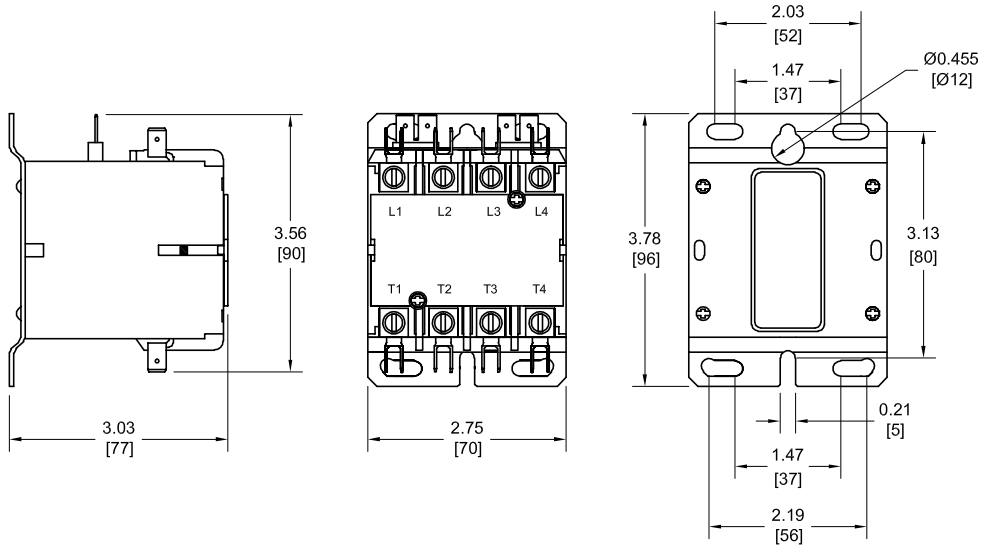
### DP40C3P



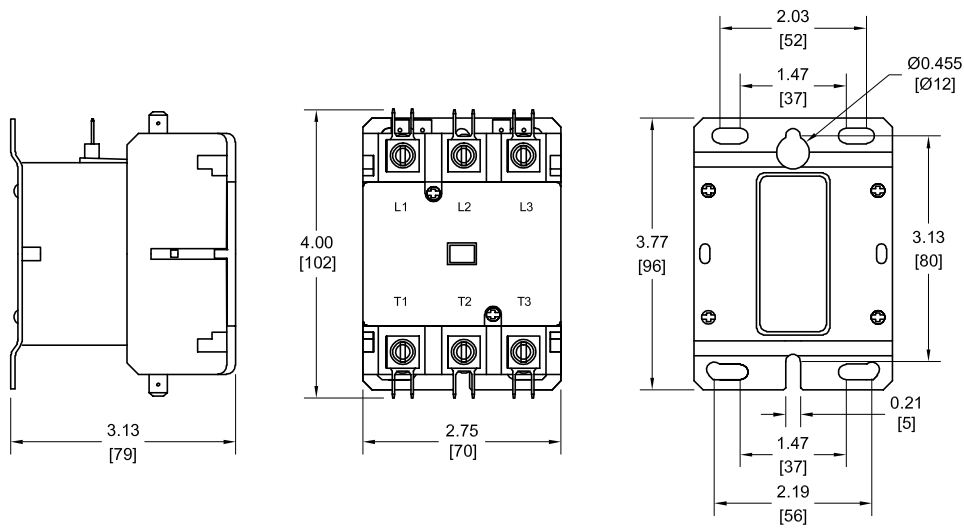
## Approximate dimensions

40A 4 Pole  
60A 3 Pole

### DP40C4P



### DP60C3P



# Approximate dimensions Terminations

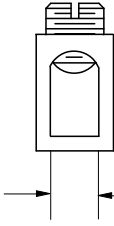
## Screw



Standard on  
DP30

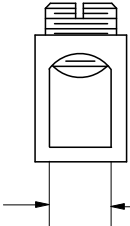
# 10-32 Combination  
Phillips, slotted &  
5/16 Hex Head

## Lugs



Standard on  
DP40

14 - 4 AWG, Cu / Al



Standard on  
DP60

14 - 2 AWG, Cu / Al

