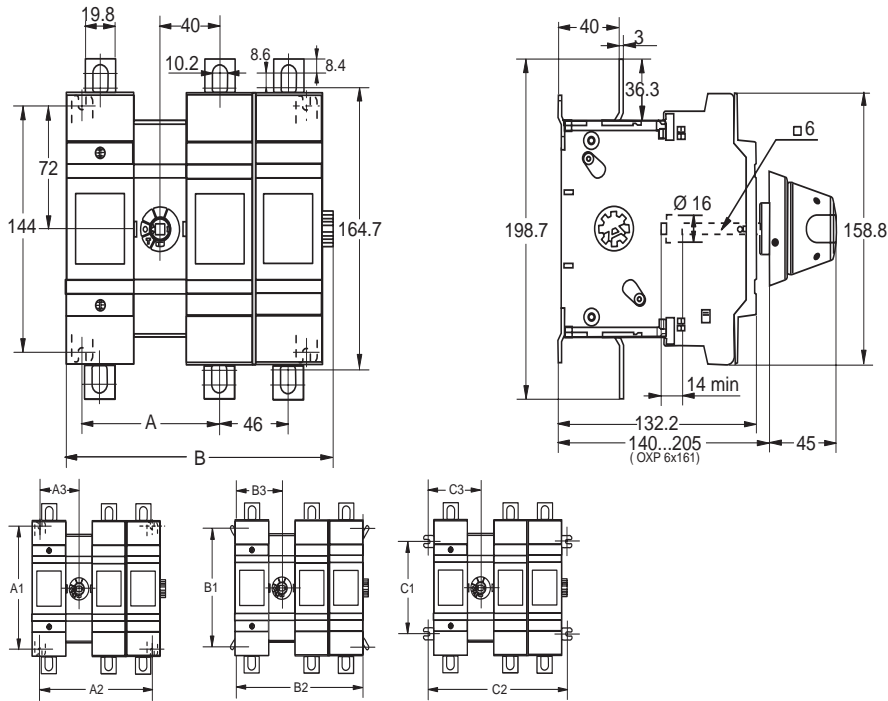


Approximate dimensions OS200_ - OES200_

Disconnect
switches
Fusible

← 00.00 → Millimeters

OS200J11, -12, -13, -22



	OS200 (mm)			
	J11	J12	J13	J22
A	92	92	92	138
B	132.1	178.1	224.1	224.1
A1	144	144	144	144
A2	104	150	196	196
A3	52	52	52	98
B1	109.4	109.4	109.4	109.4
B2	105.9	140.9	140.9	175.9
B3	61.5	61.5	61.5	107.5
C1	108	108	108	108
C2	140	186	232	232
C3	70	70	70	116

OES200R03

