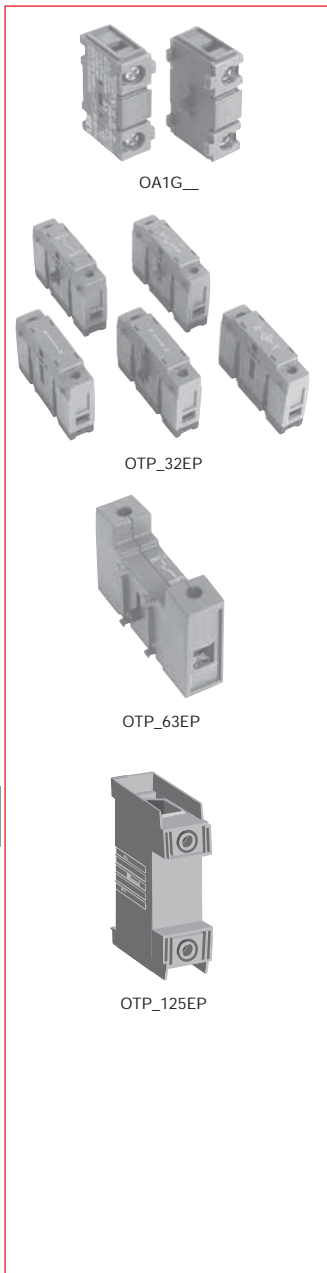
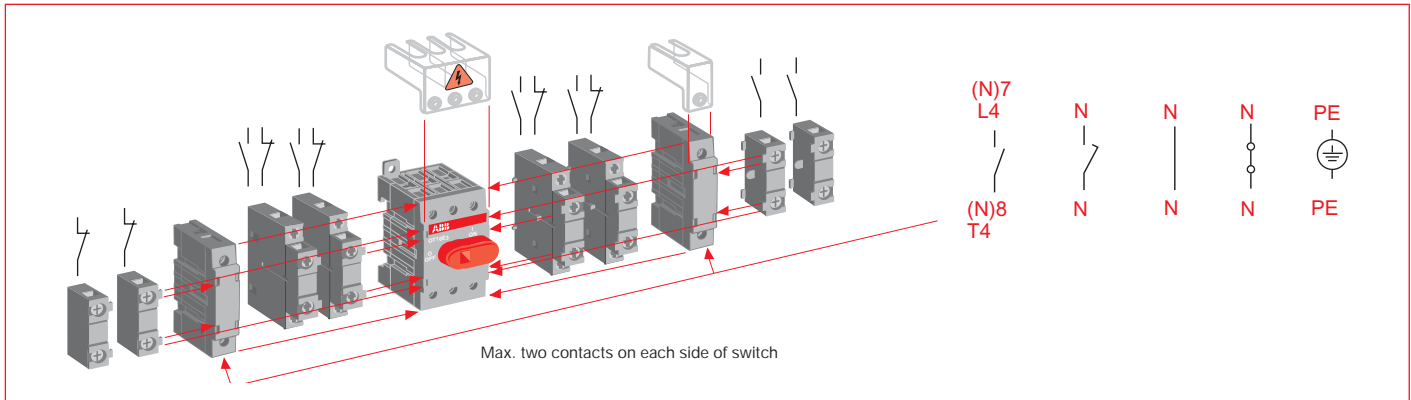


16A – 100A, Base & DIN rail mounted Accessories



Auxiliary contacts ① — snap-on mounting

Description	For use on:	Weight (lbs.)	AC thermal amp rating	AC rated voltage	Catalog number	List price
1 N.O. mounts on right side of switch only	OT16 – OT100	0.07	10	600	OA1G10	\$ 20
1 N.O. mounts on left side of switch only	OT16E3C – OT100E3C	0.07	10	600	OA7G10	20
1 N.C. mounts on left side of switch only	OT16 – OT100	0.07	10	600	OA1G01	20
1 N.C. mounts on right side of switch only	OT16E3C – OT100E3C	0.07	10	600	OA3G01	20
1 N.O. & 1 N.C. mounts on left or right side of switch	OT16 – OT100	0.07	10	600	OA2G11	40

Power poles

- Only one power pole per switch
- Mounts on left or right side of switch

Description	For use on:	Weight (lbs.)	AC thermal amp rating	AC rated voltage	Catalog number	List price
Fourth pole ②	OT16, OT25, OT32	0.07	40	600	OTPS32EP	\$ 36
	OT45, OT63	0.13	80	600	OTPS63EP	44
	OT30, OT60	0.31	60	600	OTPS60EP	54
	OT100	0.31	100	600	OTPS125EP	54
Late-break/early-make ②	OT16, OT25, OT32	0.07	40	600	OTPL32EP	36
	OT45, OT63	0.13	80	600	OTPL63EP	44
	OT30, OT60, OT100	0.31	100	600	OTPL125EP	54

Terminal poles

- Switch accepts one terminal pole per side
- Mounts on left or right side of switch

Description	For use on:	Weight (lbs.)	AC thermal amp rating	AC rated voltage	Catalog number	List price
Solid neutral ②	OT16, OT25, OT32	0.07	40	600	OTPN32EP	\$ 20
	OT45, OT63	0.13	80	600	OTPN63EP	36
	OT30, OT60, OT100	0.31	100	600	OTPN125EP	50
Detachable neutral ②	OT16, OT25, OT32	0.07	40	600	OTPD32EP	28
	OT45, OT63	0.13	80	600	OTPD63EP	36
	OT30, OT60	0.31	60	600	OTPD60EP	50
	OT100	0.31	100	600	OTPD125EP	54
Ground terminal ②	OT16, OT25, OT32	0.07	40	600	OTPE32EP	20
	OT45, OT63	0.13	80	600	OTPE63EP	36
	OT30, OT60, OT100	0.31	100	600	OTPE125EP	50

① UL File # E83510

② Switch accepts one power pole or one terminal pole per side. Only one power pole per switch.