

# Fixed capacitor banks

## 3 phase, Internally Protected Elements

### 240 & 480 Volt, 60 Hz

Low Voltage  
Network Quality



F26G250

Suitable for direct compensation where fixed power factor correction is desired.

Features include:

- Dry environmentally safe construction
- Self healing capability
- Patented Internal Protected Elements
- Individual capacitors connected by bus bar
- Indoor, dusttight or raintight enclosure
- NEMA 1, 3R, 12
- Easy mounting
- Easy electrical connection to large terminals
- Convenient grounding lug

### 240 Volt, 60 Hz — 3 phase

Enclosure size	kvar rating ①	Qty / kvar	Approx. shipping weight (lbs.)	Enclosure type					
				Indoor – NEMA 1		Outdoor – NEMA 3R		Indoor – NEMA 12	
				Catalog number	List price	Catalog number	List price	Catalog number	List price
63	70	2/35	155	F246G70	\$ 2,750	F246R70	\$ 3,630	F246D70	\$ 2,848
	80	1/35, 1/40	155	F246G80	3,104	F246R80	3,200	F246D80	3,200
	90	2/45	155	F246G90	3,532	F246R90	3,630	F246D90	3,630
	100	2/50	155	F246G100	3,746	F246R100	3,844	F246D100	3,844
	110	2/55	155	F246G110	4,174	F246R110	4,272	F246D110	4,272
	120	2/60	155	F246G120	4,494	F246R120	4,592	F246D120	4,592
	130	1/40, 2/45	235	F246G130	4,922	F246R130	5,020	F246D130	5,020
	150	3/50	235	F246G150	5,244	F246R150	5,342	F246D150	5,342
	160	1/50, 3/55	155	F246G160	5,992	F246R160	6,090	F246D160	6,090
	180	3/60	235	F246G180	6,420	F246R180	6,518	F246D180	6,518
	200	4/50	310	F246G200	7,490	F246R200	7,588	F246D200	7,588
	250	5/50	370	F246G250	9,630	F246R250	9,728	F246D250	9,728
	300	5/60	370	F246G300	10,914	F246R300	11,012	F246D300	11,012

### 480 Volt, 60 Hz — 3 phase

Enclosure size	kvar rating ①	Qty / kvar	Approx. shipping weight (lbs.)	Enclosure type					
				Indoor – NEMA 1		Outdoor – NEMA 3R		Indoor – NEMA 12	
				Catalog number	List price	Catalog number	List price	Catalog number	List price
63	125	1/55, 1/70	125	F486G125	\$ 2,600	F486R125	\$ 2,698	F486D125	\$ 2,698
	130	2/65	125	F486G130	2,750	F486R130	2,848	F486D130	2,848
	140	2/70	125	F486G140	2,856	F486R140	2,952	F486D140	2,952
	150	2/75	125	F486G150	2,900	F486R150	2,998	F486D150	2,998
83	160	2/80	155	F488G160	3,038	F488R160	3,134	F488D160	3,134
	175	2/87.5	155	F488G175	3,242	F488R175	3,338	F488D175	3,338
	180	2/90	155	F488G180	3,466	F488R180	3,562	F488D180	3,562
	200	2/100	155	F488G200	3,680	F488R200	3,776	F488D200	3,776
63	220	1/70, 2/75	200	F486G220	3,960	F486R220	4,058	F486D220	4,058
	225	3/75	200	F486G225	4,162	F486R225	4,258	F486D225	4,258
83	240	3/80	235	F488G240	4,322	F488R240	4,418	F488D240	4,418
	250	1/90, 2/80	235	F488G250	4,654	F488R250	4,750	F488D250	4,750
	260	2/90, 1/80	235	F488G260	4,922	F488R260	5,020	F488D260	5,020
	280	1/00, 2/90	235	F488G280	5,136	F488R280	5,234	F488D280	5,234
	300	3/100	235	F488G300	5,350	F488R300	5,448	F488D300	5,448
	350	4/87.5	310	F488G350	5,992	F488R350	6,090	F488D350	6,090
	360	4/90	310	F488G360	6,420	F488R360	6,518	F488D360	6,518
	400	4/100	310	F488G400	7,276	F488R400	7,374	F488D400	7,374
	450	5/90	370	F488G450	8,668	F488R450	8,766	F488D450	8,766
	475	5/95	370	F488G475	9,202	F488R475	9,300	F488D475	9,300
	500	5/100	370	F488G500	9,630	F488R500	9,728	F488D500	9,728
	600	6/100	450	F488G600	10,914	F488R600	11,012	F488D600	11,012

### 208 Volt availability

For 208 volt applications, derate the 240V capacitors. The kvar at 208V will be .75 times the kvar at 240V.

**NOTE:** ABB's patented IPE design eliminates the need for additional overcurrent protection when capacitors are electrically connected on the load side of a motor starter circuit breaker or fusible disconnect switch.

① For additional kvar ratings not listed above, please consult factory.

## Fixed capacitor banks

### 3 Phase, Internally Protected Elements

### 600Volt, 60Hz

#### 600 volt, 60Hz — 3 phase

Enclosure size	kvar rating ①	Qty / kvar	Approx. shipping weight (lbs.)	Enclosure type					
				Indoor – NEMA 1		Outdoor – NEMA 3R		Indoor – NEMA 12	
				Catalog number	List price	Catalog number	List price	Catalog number	List price
63	160	2/80	155	F606G160	\$ 3,210	F606R160	\$ 3,306	F606D160	\$ 3,306
83	200	2/100	155	F608G200	3,852	F608R200	3,948	F608D200	3,948
63	240	3/80	195	F606G240	4,708	F606R240	4,804	F606D240	4,804
83	270	3/90	230	F608G270	5,350	F608R270	5,446	F608D270	5,446
	300	3/100	230	F608G300	5,778	F608R300	5,874	F608D300	5,874
63	320	4/80	250	F606G320	6,100	F606R320	6,196	F606D320	6,196
83	350	4/87.5	275	F608G350	6,420	F608R350	6,516	F608D350	6,516
	360	4/90	275	F608G360	6,742	F608R360	6,838	F608D360	6,838
	400	4/100	275	F608G400	7,918	F608R400	8,014	F608D400	8,014
	500	5/100	375	F608G500	11,128	F608R500	11,224	F608D500	11,224
	600	6/100	450	F608G600	12,840	F608R600	12,936	F608D600	12,936

#### Capacitor state indication system

240V kvar	480V & 600V kvar	Catalog number suffix	List price adder
90 – 120	125 – 200	-2LE	\$ 450
130 – 180	210 – 300		676
200	320 – 400		898
250 – 300	450 – 500		1,124
—	600		1,348

The capacitor state indication system consists of two yellow LED lights which illuminate only when the capacitor is energized and functioning at 65% or more of its rated kvar capacity.

The two light system will indicate a failure in any one of the three phases of the capacitor.

#### Wall mounting assemblies

Type	Catalog number	List price adder
Wall mounting kit, 2 – 6 units per bank	FBWM	\$ 1,000

**NOTE:** ABB's patented IPE design eliminates the need for additional overcurrent protection when capacitors are electrically connected on the load side of a motor starter circuit breaker or fusible disconnect switch.

## Fixed capacitor banks

### 3 Phase, 240 & 480 Volt, 60 Hz

### with three fuses and blown fuse indicators



ABB low voltage capacitors are fully protected by the three levels of protection offered by the patented Sequential Protection System which includes dry self-healing capacitors, internally protected elements and the dry non-flammable vermiculite filler. However, some users have traditionally requested external fuses and blown fuse indicators, so these modified units are offered for those applications.

Features include:

- Dry, environmentally safe construction
- Self healing capability
- Patented Internal Protected Elements
- Individual capacitors connected by bus bar
- NEMA 1, 3R, 12
- Easy mounting
- Easy electrical connection to large terminals
- Convenient grounding lug
- Each individual capacitor includes three fuses and three blown fuse indication lamps

#### 240 Volt, 60 Hz — 3 phase

Enclosure size	kvar rating <sup>①</sup>	Qty / kvar	Approx. shipping weight (lbs.)	Enclosure type					
				Indoor – NEMA 1		Outdoor – NEMA 3R		Indoor – NEMA 12	
				Catalog number	List price	Catalog number	List price	Catalog number	List price
63	70	2/35	135	F246G70-3FI	\$ 3,250	F246R70-3FI	\$ 3,346	F246D70-3FI	\$ 3,346
	80	2/40	135	F246G80-3FI	3,692	F246R80-3FI	3,788	F246D80-3FI	3,788
	90	2/45	135	F246G90-3FI	4,174	F246R90-3FI	4,270	F246D90-3FI	4,270
	100	2/50	135	F246G100-3FI	4,816	F246R100-3FI	4,912	F246D100-3FI	4,912
	110	2/55	135	F246G110-3FI	5,136	F246R110-3FI	5,232	F246D110-3FI	5,232
	120	2/60	135	F246G120-3FI	5,458	F246R120-3FI	5,554	F246D120-3FI	5,554
	130	1/40, 2/45	235	F246G130-3FI	5,886	F246R130-3FI	5,982	F246D130-3FI	5,982
	150	3/50	235	F246G150-3FI	6,420	F246R150-3FI	6,516	F246D150-3FI	6,516
	160	1/50, 3/55	155	F246G160-3FI	6,848	F246R160-3FI	6,944	F246D160-3FI	6,944
	180	3/60	235	F246G180-3FI	7,490	F246R180-3FI	7,586	F246D180-3FI	7,586
	200	4/50	310	F246G200-3FI	8,346	F246R200-3FI	8,442	F246D200-3FI	8,442
	250	5/50	370	F246G250-3FI	10,486	F246R250-3FI	10,582	F246D250-3FI	10,582
	300	5/60	370	F246G300-3FI	11,556	F246R300-3FI	11,652	F246D300-3FI	11,652

#### 480 Volt, 60 Hz — 3 phase

Enclosure size	kvar rating <sup>①</sup>	Qty / kvar	Approx. shipping weight (lbs.)	Enclosure type					
				Indoor – NEMA 1		Outdoor – NEMA 3R		Indoor – NEMA 12	
				Catalog number	List price	Catalog number	List price	Catalog number	List price
63	125	1/55, 1/70	135	F486G125-3FI	\$ 3,050	F486R125-3FI	\$ 3,146	F486D125-3FI	\$ 3,146
	130	2/65	135	F486G130-3FI	3,156	F486R130-3FI	3,252	F486D130-3FI	3,252
	140	2/70	135	F486G140-3FI	3,210	F486R140-3FI	3,306	F486D140-3FI	3,306
	150	2/75	135	F486G150-3FI	3,370	F486R150-3FI	3,466	F486D150-3FI	3,466
83	160	2/80	155	F488G160-3FI	3,532	F488R160-3FI	3,628	F488D160-3FI	3,628
	175	2/87.5	155	F488G175-3FI	3,746	F488R175-3FI	3,842	F488D175-3FI	3,842
	180	2/90	155	F488G180-3FI	3,852	F488R180-3FI	3,948	F488D180-3FI	3,948
	200	2/100	155	F488G200-3FI	4,066	F488R200-3FI	4,162	F488D200-3FI	4,162
63	220	1/70, 2/75	200	F486G220-3FI	4,548	F486R220-3FI	4,644	F486D220-3FI	4,644
	225	3/75	200	F486G225-3FI	4,868	F486R225-3FI	4,964	F486D225-3FI	4,964
83	240	3/80	235	F488G240-3FI	5,030	F488R240-3FI	5,126	F488D240-3FI	5,126
	250	1/90, 2/80	235	F488G250-3FI	5,350	F488R250-3FI	5,446	F488D250-3FI	5,446
	260	2/90, 1/80	235	F488G260-3FI	5,564	F488R260-3FI	5,660	F488D260-3FI	5,660
	280	1/100, 2/90	235	F488G280-3FI	5,778	F488R280-3FI	5,874	F488D280-3FI	5,874
	300	3/100	235	F488G300-3FI	5,992	F488R300-3FI	6,088	F488D300-3FI	6,088
	350	4/87.5	310	F488G350-3FI	7,062	F488R350-3FI	7,158	F488D350-3FI	7,158
	360	4/90	310	F488G360-3FI	7,384	F488R360-3FI	7,480	F488D360-3FI	7,480
	400	4/100	310	F488G400-3FI	8,346	F488R400-3FI	8,442	F488D400-3FI	8,442
	450	5/90	370	F488G450-3FI	9,738	F488R450-3FI	9,834	F488D450-3FI	9,834
	475	5/95	370	F488G475-3FI	10,486	F488R475-3FI	10,582	F488D475-3FI	10,582
	500	5/100	370	F488G500-3FI	11,128	F488R500-3FI	11,224	F488D500-3FI	11,224
	600	6/100	450	F488G600-3FI	12,198	F488R600-3FI	12,294	F488D600-3FI	12,294

#### 208 Volt availability

For 208 volt applications, derate the 240V capacitors. The kvar at 208V will be .75 times the kvar at 240V.

**NOTE:** ABB's patented IPE design eliminates the need for additional overcurrent protection when capacitors are electrically connected on the load side of a motor starter circuit breaker or fusible disconnect switch.

① For additional kvar ratings not listed above, please consult factory.

## Fixed capacitor banks

### 3 phase, 600 Volt, 60 Hz

### with three fuses and blown fuse indicators

#### 600 volt, 60Hz — 3 phase

Enclosure size	kvar rating <sup>①</sup>	Qty / kvar	Approx. shipping weight (lbs.)	Enclosure type					
				Indoor – NEMA 1		Outdoor – NEMA 3R		Indoor – NEMA 12	
				Catalog number	List price	Catalog number	List price	Catalog number	List price
63	160	2/80	155	F606G160-3FI	\$ 3,638	F606R160-3FI	\$ 3,734	F606D160-3FI	\$ 3,734
83	200	2/100	155	F608G200-3FI	4,280	F608R200-3FI	4,376	F608D200-3FI	4,376
63	240	3/80	195	F606G240-3FI	5,350	F606R240-3FI	5,446	F606D240-3FI	5,446
83	270	3/90	230	F608G270-3FI	5,886	F608R270-3FI	5,982	F608D270-3FI	5,982
	300	3/100	230	F608G300-3FI	6,420	F608R300-3FI	6,516	F608D300-3FI	6,516
63	320	4/80	250	F606G320-3FI	6,848	F606R320-3FI	6,944	F606D320-3FI	6,944
83	350	4/87.5	275	F608G350-3FI	7,490	F608R350-3FI	7,586	F608D350-3FI	7,586
	360	4/90	275	F608G360-3FI	8,026	F608R360-3FI	8,122	F608D360-3FI	8,122
	400	4/100	275	F608G400-3FI	8,560	F608R400-3FI	8,656	F608D400-3FI	8,656
	500	5/100	375	F608G500-3FI	12,840	F608R500-3FI	12,936	F608D500-3FI	12,936
	600	6/100	450	F608G600-3FI	14,980	F608R600-3FI	15,076	F608D600-3FI	15,076

#### Capacitor state indication system

240V kvar	480V & 600V kvar	Catalog number suffix	List price adder
90 – 120	125 – 200	-2LE	\$ 450
130 – 180	210 – 300		674
200	320 – 400		898
250 – 300	450 – 500		1,124
—	600		1,348

The capacitor state indication system consists of two yellow LED lights which illuminate only when the capacitor is energized and functioning at 65% or more of its rated kvar capacity.

The two light system will indicate a failure in any one of the three phases of the capacitor.

#### Wall mounting assemblies <sup>②</sup>

Type	Catalog number	List price adder
Wall mounting kit, 2 – 6 units per bank	FBWM	\$ 1,000

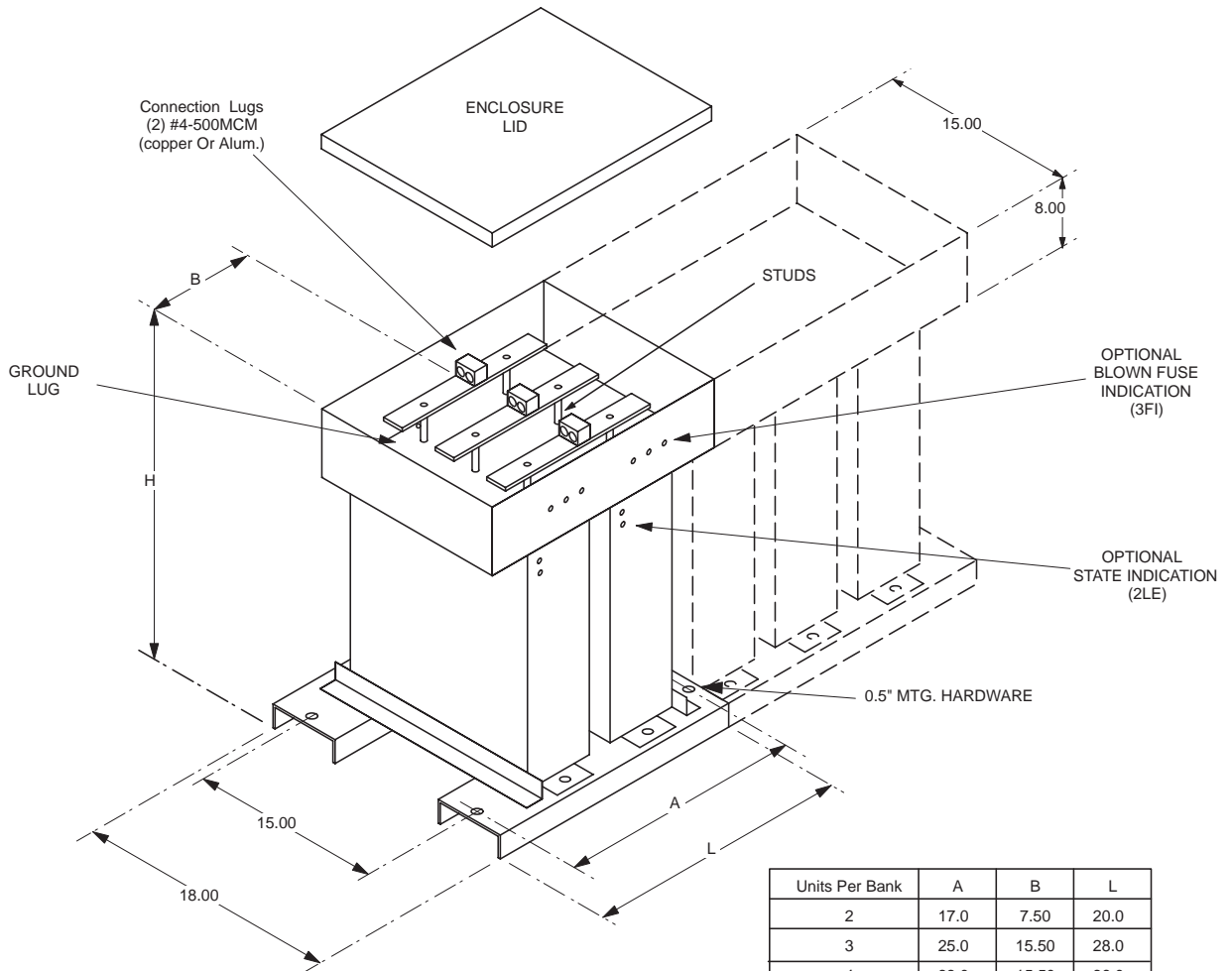
**NOTE:** ABB's patented IPE design eliminates the need for additional overcurrent protection when capacitors are electrically connected on the load side of a motor starter circuit breaker or fusible disconnect switch.

<sup>①</sup> For additional kvar ratings not listed above, please consult factory.

# Approximate dimensions Fixed capacitor banks

← 00.00 → Inches

## Fixed capacitor banks



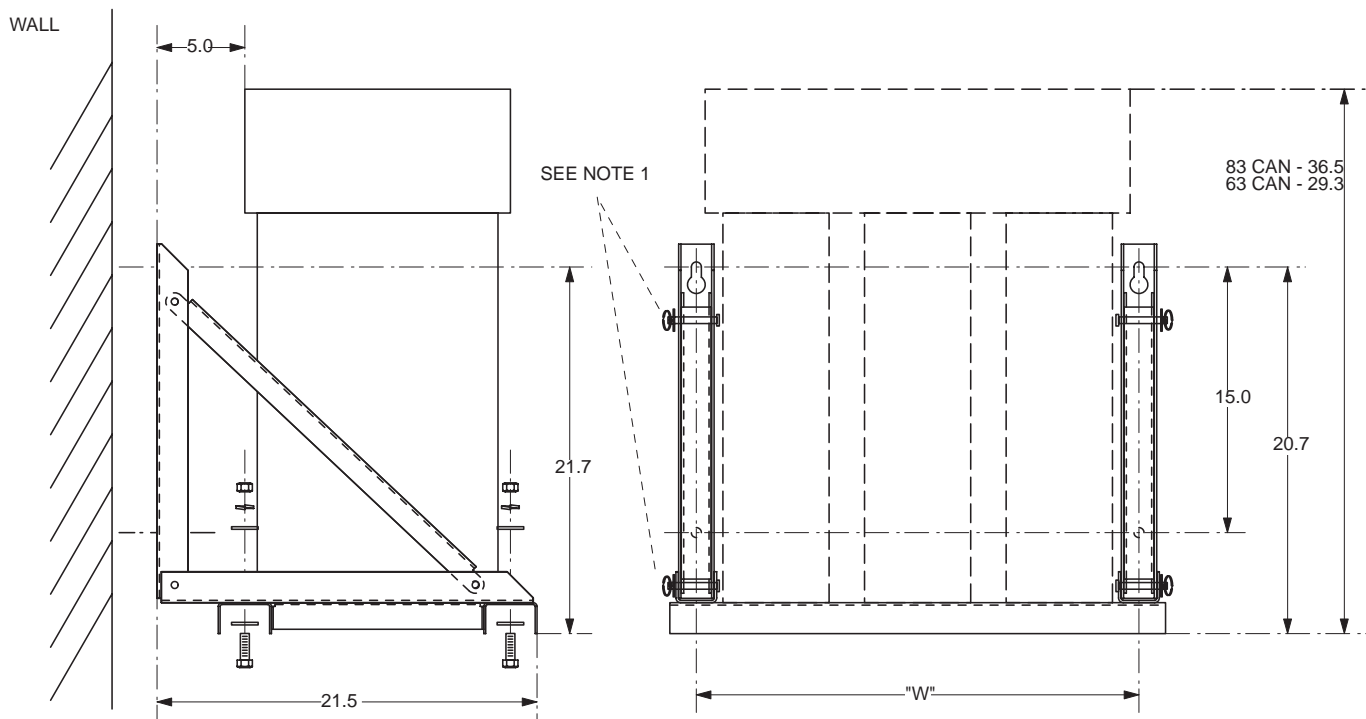
Units Per Bank	A	B	L
2	17.0	7.50	20.0
3	25.0	15.50	28.0
4	33.0	15.50	36.0
5	41.0	15.50	44.0
6	49.0	22.50	52.0

Unit Size	H
CLMD-53	22.50
CLMD-63	29.50
CLMD-83	36.50

## Approximate dimensions Fixed capacitor banks

← 00.00 → Inches

### Fixed bank wall mounting



NOTE 1: POSITION SPLIT RINGS TOWARD OUTSIDE OF BANK

NO. OF CAPS	MTG WIDTH "W"
2	17.0
3	25.0
4	33.0
5	41.0
6	49.0

MOUNT CAPACITOR ASSEMBLY TO WALL USING FOUR (4) 1/2" BOLTS. "KEY HOLE" MOUNTING HOLES ARE PROVIDED AT TOP OF MOUNTING BRACKETS.

WALL MOUNTING BRACKETS ARE ATTACHED TO FIXED BANK USING FOUR (4) 1/2-13 X 1.25" BOLTS AS SHOWN. TORQUE HARDWARE TO 50 LBS-FT.