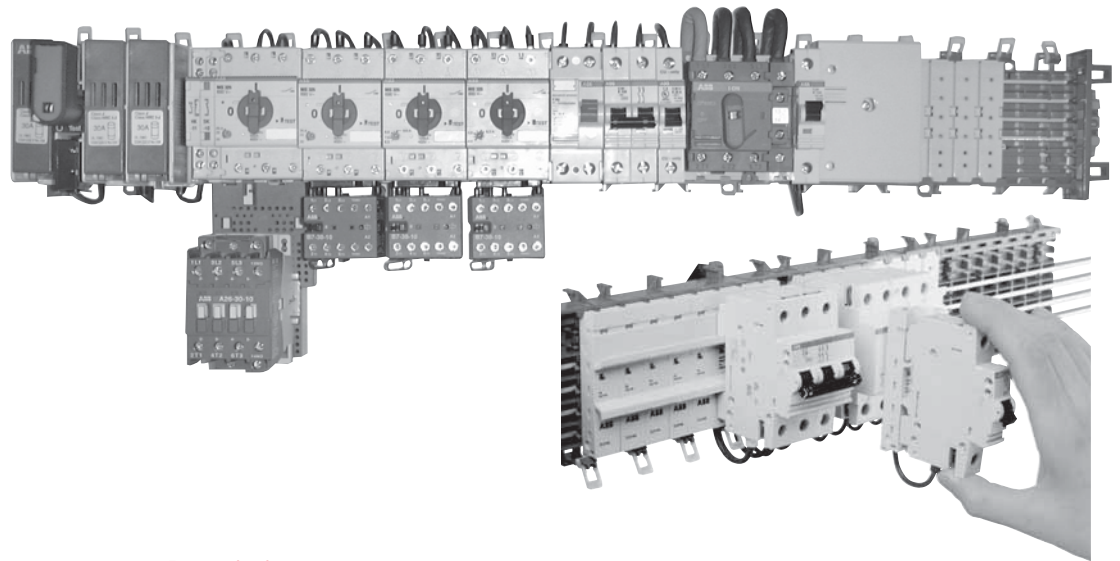




smissline

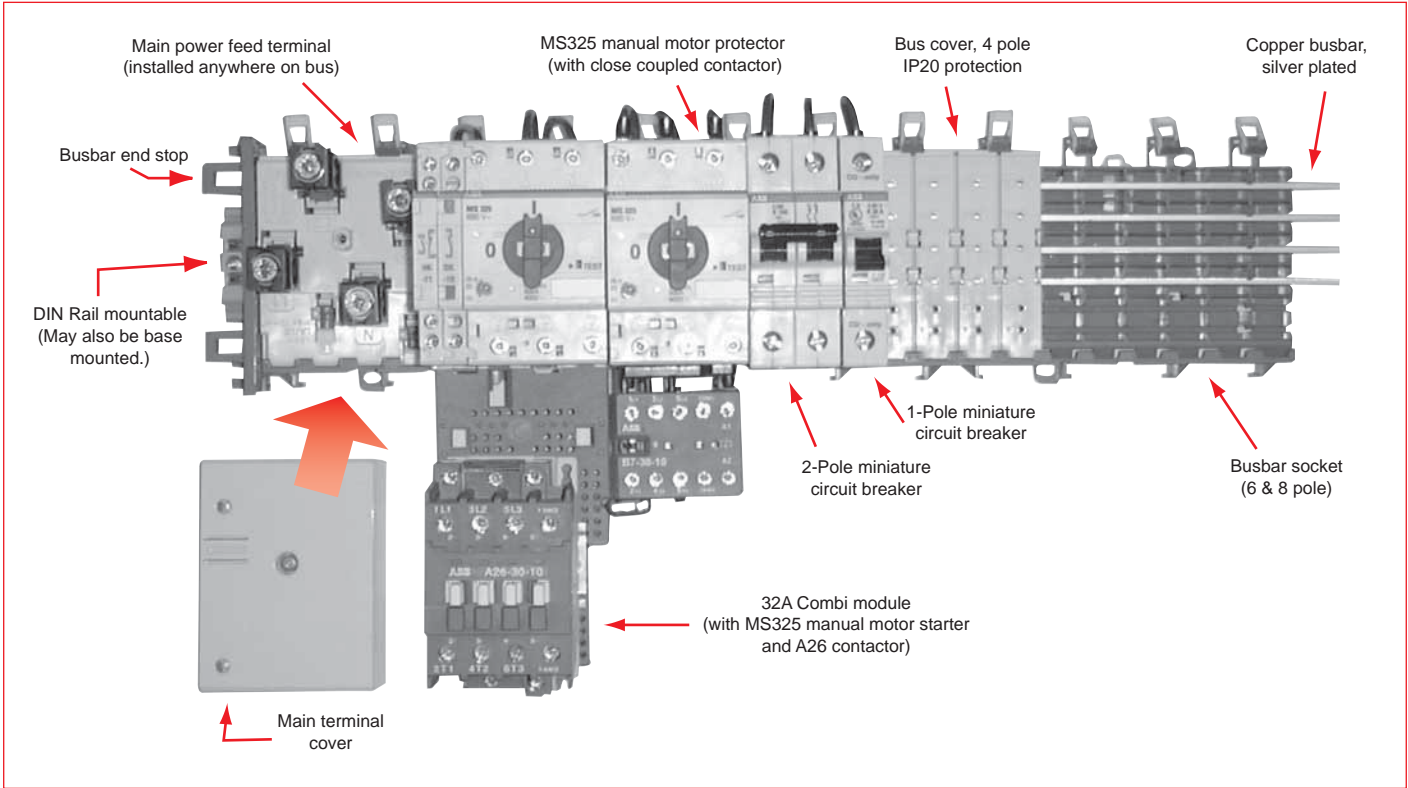
Modular power distribution bus system

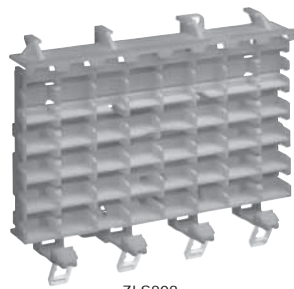


## Description

- The smissline power distribution bus system provides a versatile and flexible means of distributing power to a wide variety of electrical devices. Ideal for group motor installations and ABB modular DIN rail products
- Hot swappable socket mounted components.
- Individual devices may be turned off and safely removed without turning off power to the whole bus.
- Bus system "Starter kits" available in various lengths, can also be easily cut down for custom installations.
- Busbar rated 100A when end fed and up to 200A when center fed. Main power feed terminals may be installed anywhere along the bus system.
- Individual bus stab adapters are available in L1, L2, L3 and N phase connections; they can be connected together to form multi-pole units. Unwired modules are available where bus connection is not required. 18mm width.
- Snap-on installation. No tools required to install or remove bus mounted components.
- System can be DIN rail or base mounted.
- Bus covers protect unused portions of the bus from accidental contact providing total bus isolation and IP20 finger safe protection.
- Reputable history of performance and reliability.
- UL508 Recognized, UL File No. E222110.

# Components

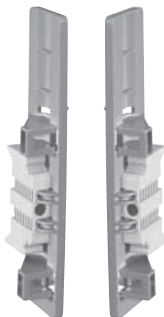




ZLS808



ZLS200



ZLS730



ZLS224



ZLS251



ZLS240

## Sockets

Number of Modules	Length (inches)	Catalog number	List price
8	5.7	ZLS808	\$ 30
6	4.3	ZLS806	28

## Bus bar — 100A for L1, L2 L3, neutral and ground

	Length (inches)	Catalog number	List price
Cut to desired length	78.7	ZLS200	\$ 95

## End stops

	Catalog number	List price
Left and right included	ZLS730	\$ 30

## Main power feed terminals

Width in modules	End feed (A)	Center feed (A)	Phases	Wire range AWG	Catalog number	List price
4	100	150	3P 3P+N	10-1/0	ZLS225 ZLS224	\$ 110 120
2	100	200	N L1 L2 L3	8-4/0	ZLS250 ZLS251 ZLS252 ZLS253	60

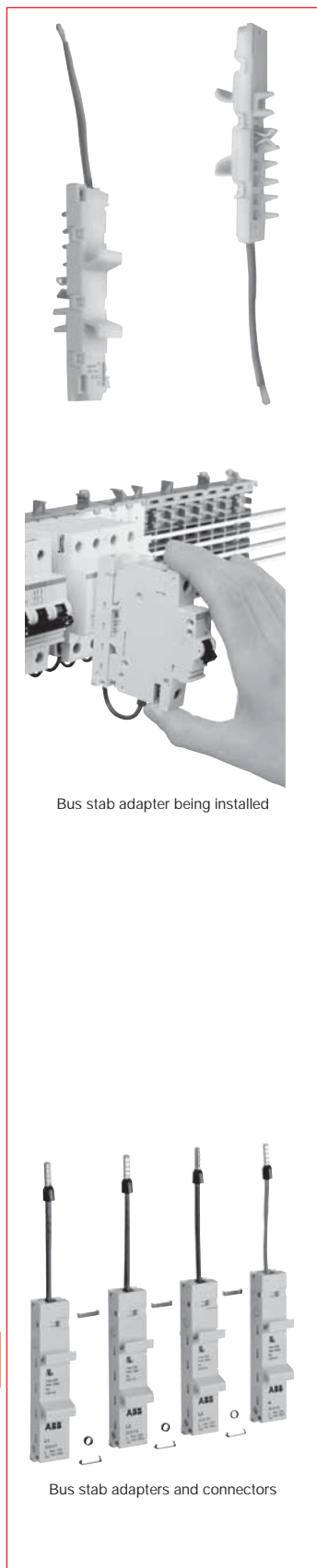
## Main power feed bus stab adaptor

Width in modules	End feed (A)	Center feed (A)	Phases	Catalog number	List price
4	100	100	3P	ZLS240	\$ 110
4	100	100	3P+N	ZLS241	120

## Combi module

Description	Width Mods	Qty	Catalog number	List price
Bottom clip Bottom fed	3	1	ZLS8403LWB-S	\$ 110
Bottom clip Top fed	3	1	ZLS8403LWT-S	





For connecting MMP, contactor, and breaker combinations to busbar.



Bus stab adapter being installed

Bus stab adapters and connectors

## Bus stab adapters

	Current Rating (A)	Phase	Catalog number	List price
<b>Top Clip Top Fed</b>  	32	N	ZLS160	\$ 20
		L1	ZLS161	20
		L2	ZLS162	20
		L3	ZLS163	20
		L1 300mm	ZLS161L300	33
	L2 300mm	ZLS162L300	33	
	L3 300mm	ZLS163L300	33	
	L1, L2, L3	ZLS183TT	60	
	63	N	ZLS170	20
		L1	ZLS171	20
L2		ZLS172	20	
L3		ZLS173	20	
L1 300mm		ZLS171L300	33	
L2 300mm	ZLS172L300	33		
L3 300mm	ZLS173L300	33		
L1, L2, L3	ZLS189TT	60		
*	*	ZLSS164	13	
<b>Top Clip Bottom Fed</b>  	32	N	ZLS176	20
		L1	ZLS177	20
		L2	ZLS178	20
		L3	ZLS179	20
		L1 300mm	ZLS177L300	33
	L2 300mm	ZLS178L300	33	
	L3 300mm	ZLS179L300	33	
	L1, L2, L3	ZLS183TB	60	
	63	N	ZLS166	20
		L1	ZLS167	20
L2		ZLS168	20	
L3		ZLS169	20	
L1 300mm		ZLS167L300	33	
L2 300mm	ZLS168L300	33		
L3 300mm	ZLS169L300	33		
L1, L2, L3	ZLS189TB	60		
*	*	ZLS164	13	
<b>Bottom Clip Top Fed</b>  	32	N	ZLS176	20
		L1	ZLS177	20
		L2	ZLS178	20
		L3	ZLS179	20
		L1 300mm	ZLS177L300	33
	L2 300mm	ZLS178L300	33	
	L3 300mm	ZLS179L300	33	
	L1, L2, L3	ZLS183TB	60	
	63	N	ZLS166	20
		L1	ZLS167	20
L2		ZLS168	20	
L3		ZLS169	20	
L1 300mm		ZLS167L300	33	
L2 300mm	ZLS168L300	33		
L3 300mm	ZLS169L300	33		
L1, L2, L3	ZLS189TB	60		
*	*	ZLS164	13	
<b>Bottom Clip, Bottom Fed</b>  	32	N	ZLS160	20
		L1	ZLS161	20
		L2	ZLS162	20
		L3	ZLS163	20
		L1 300mm	ZLS161L300	33
	L2 300mm	ZLS162L300	33	
	L3 300mm	ZLS163L300	33	
	L1, L2, L3	ZLS183TB	60	
	63	N	ZLS170	20
		L1	ZLS171	20
L2		ZLS172	20	
L3		ZLS173	20	
L1 300mm		ZLS171L300	33	
L2 300mm	ZLS172L300	33		
L3 300mm	ZLS173L300	33		
L1, L2, L3	ZLS189BB	60		
*	*	ZLS164	13	

## Multi-pole bus stab adapter connectors

	Quantity	Catalog number	List price
	1 bag	ZLS174	\$ 10

Connection pieces are used to join individual bus stab adapters into any multi-pole configuration desired (L1-L2, L1-N, L1-L2-L3, etc.). Each bag contains enough pieces to make 25 connections. For example, 25 2-pole bus stab adapters or 12 3-pole bus stab adapters.



ZLS100



ZLS101



ZLS722



ZLS239

## Bus covers

	Quantity	Catalog number	List price
	5 pack	ZLS100	\$ 25

Covers unused portions of the busbar to protect from physical contact. Supplied as a 4-module unit, separable into 1-module units by snapping it apart.

## Bus cover DIN rail extensions

	Quantity	Catalog number	List price
	10 pack	ZLS101	\$ 20

Snaps on to ZLS100 and provides 18mm wide mounting position for any DIN rail mounted device.

## Bus covers — High profile

Width in modules	Quantity	Catalog number	List price
1/2 module	5 pack	ZLS721	\$ 23
1 module	5 pack	ZLS722	30

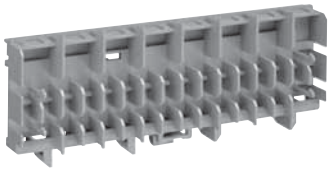
## Bus divider

Width in modules	Quantity	Catalog number	List price
1 module	1	ZLS239	\$ 10

Allows a single smisline assembly to be divided into two isolated busbar systems.

# Components

## Neutral and ground



ZLS811



ZLS812



ZLS815



ZLS832



ZLS833



ZLS821



ZLS820

### Neutral and ground sockets

Number of modules	Length (inches)	Catalog number	List price
8	5.7	ZLS811	\$ 17
6	4.3	ZLS810	15

Use ZLS200, 100A busbar from page 20.5.

### Neutral terminals

Width in modules	Wire range		Catalog number	List price
	AWG	mm <sup>2</sup>		
1/2	14 - 8	10	ZLS812	\$ 22
1	10 - 1	50	ZLS813	40
2	8 - 3/0	95	ZLS254	60

### Ground terminals

Width in modules	Wire range		Catalog number	List price
	AWG	mm <sup>2</sup>		
1/2	14 - 8	10	ZLS815	\$ 22
1	10 - 1	50	ZLS816	40
2	8 - 3/0	95	ZLS255	60

### Neutral and ground bus covers

Description	Width in modules	Quantity	Catalog number	List price
With DIN rail top	1	10 pack	ZLS832	\$ 25
Flat top	8		ZLS833	50

### Labels

Description	Quantity	Catalog number	List price
Self-adhesive, 6 x 17mm Paper (protective cover required) Cover	Sheet of 420	ZLS825	\$ 90
	Sheet of 160	ZLS821	12
	Bag of 100	ZLS820	100

# Applications with other ABB products

## Manual motor protectors



MS325-1.0

For more information on manual motor protectors, see Section 5.



MS116

### Manual motor protectors — Type MS325

Thermal setting range (Amps)	Single-phase horsepower ratings ①		3-phase horsepower ratings			Catalog number	List price
	120V	240V	240V	480V	600V		
0.10 – 0.16	—	—	—	—	—	MS325-0.16	<b>\$ 144</b>
0.16 – 0.25	—	—	—	—	—	MS325-0.25	
0.25 – 0.40	—	—	—	—	—	MS325-0.40	
0.40 – 0.63	—	—	—	—	—	MS325-0.63	
0.63 – 1.0	—	—	—	1/2	1/2	MS325-1.0	<b>165</b>
1.0 – 1.6	—	1/10	—	3/4	3/4	MS325-1.6	
1.6 – 2.5	—	1/6	1/2	1	1.5	MS325-2.5	
2.5 – 4.0	1/8	1/3	1	2	3	MS325-4.0	
4.0 – 6.3	1/4	1/2	1.5	3	5	MS325-6.3	
6.3 – 9.0	1/3	1	2.5	5	7.5	MS325-9.0	
9.0 – 12.5	1/2	2	3	7.5	10	MS325-12.5	<b>192</b>
12.5 – 16	1	2.5	5	10	10	MS325-16	
16 – 20	1.5	3	5	10	15	MS325-20	<b>211.50</b>
20 – 25	2	3	7.5	15	20	MS325-25	<b>223.50</b>

NOTE: Use Discount schedule MA

### Manual motor protectors — Type MS116

Thermal setting range (Amps)	Single-phase horsepower ratings ①		3-phase horsepower ratings			Catalog number	List price
	120V	240V	240V	480V	600V		
0.10 – 0.16	—	—	—	—	—	MS116-0.16	<b>\$ 129</b>
0.16 – 0.25	—	—	—	—	—	MS116-0.25	
0.25 – 0.40	—	—	—	—	—	MS116-0.40	
0.40 – 0.63	—	—	—	—	—	MS116-0.63	
0.63 – 1.0	—	—	—	1/2	1/2	MS116-1.0	<b>148.50</b>
1.0 – 1.6	—	1/10	—	3/4	3/4	MS116-1.6	
1.6 – 2.5	—	1/6	1/2	1	1.5	MS116-2.5	
2.5 – 4.0	1/8	1/3	1	2	3	MS116-4.0	
4.0 – 6.3	1/4	1/2	1.5	3	5	MS116-6.3	
6.3 – 10	1/2	1.5	3	5	7.5	MS116-10	
8.0 – 12	1/2	2	3	7.5	10	MS116-12	<b>172.50</b>
10 – 16	1	2	5	10	10	MS116-16	

NOTE: Use Discount schedule MA

### Manual motor protector/contactor close coupling adapters

Device	Catalog number	List price
MS116 + B6/B7 contactor MS116 + A9, A12, A16 contactor	BEA7/116 BEA16/116	<b>\$ 9</b>
MS325 + B6/B7 contactor MS325 + A9, A12, A16 contactor MS325 + A26 contactor	BEA7/325 BEA16/325 BEA26/325	<b>12</b> <b>13.50</b> <b>15</b>

NOTE: Use Discount schedule MA

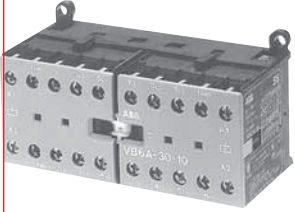


# Applications with other ABB products

## Miniature contactors



B6C-1



VB6M-1

For more information on miniature controls, see Section 4

### Miniature contactors — Non-reversing with screw connections

General purpose AC1	Maximum motor FLA AC3	3 Phase motor horsepower				Single phase		Number of power poles	Auxiliary contacts	Catalog number	List price
		208V	230V	460V	600V	120V	230V				
<b>AC operated</b>											
12	6.8	1	2	3	1	1/2	1	3 3 4	1 N.O. 1 N.C. —	B6C-★ B6C-★01 B6C4P-★	\$ 51
16	9.6	2	3	5	5	1	2	3 3 4	1 N.O. 1 N.C. —	B7C-★ B7C-★01 B7C4P-★	72
<b>DC operated</b>											
12	6.8	1	2	3	1	1/2	1	3 3	1 N.O. 1 N.C.	BC6C-★ BC6C-★01	57
16	9.6	2	3	5	5	1	2	3 3	1 N.O. 1 N.C.	BC7C-★ BC7C-★01	78

NOTE: Use Discount schedule AA

### Miniature mechanically interlocked contactors with screw connections

General purpose AC1	Maximum motor FLA AC3	3 Phase motor horsepower				Single phase		Number of power poles	Auxiliary contacts	Catalog number	List price
		208V	230V	460V	600V	120V	230V				
<b>AC operated</b>											
12	6.8	1	2	3	1	1/2	1	3	1 N.O. 1 N.C.	VB6M-★ VB6M-★01	\$ 104
16	9.6	2	3	5	5	1	2	3	1 N.O. 1 N.C.	VB7M-★ VB7M-★01	143
<b>DC operated</b>											
12	6.8	1	2	3	1	1/2	1	3	1 N.O. 1 N.C.	VBC6M-★ VBC6M-★01	105
16	9.6	2	3	5	5	1	2	3	1 N.O. 1 N.C.	VBC7M-★ VBC7M-★01	156

NOTE: Use Discount schedule AA

### Coil voltage selection

★ Coil voltage suffix. Refer to Coil Voltage Selection Chart and substitute the desired coil voltage suffix for the ★.

### Coil voltage selection chart

	Volts								
	12	24	42	48	110/125	110/120	220	220/240	380/415
AC 40-450 Hz		F	L	G		1		2	M
DC	U	Y	V	W	P		R		

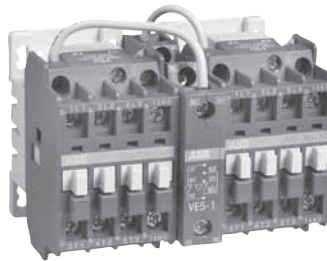
# Applications with other ABB products

## A-Line contactors

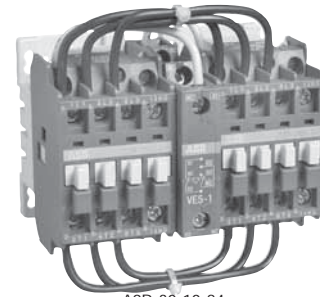
### A9 - A26, AC operated



A26-30-10-84



A9M-30-10-84



A9R-30-10-84

General purpose current	UL motor switching current	Maximum motor horsepower ratings				Standard Aux. contacts		Non-reversing		Mechanically interlocked		Reversing	
		208V	240V	480V	575/600V	NO	NC	Catalog number	List price	Catalog number	List price	Catalog number	List price
<b>UL rated</b>													
AC1													
21	9	2	2	5	7.5	1 0	0 1	A9-30-10-84 A9-30-01-84	\$ 78	A9M-30-10-84 A9M-30-01-84	\$ 255	A9R-30-10-84 A9R-30-01-84	\$ 315
25	11	3	3	7.5	10	1 0	0 1	A12-30-10-84 A12-30-01-84	84	A12M-30-10-84 A12M-30-01-84	315	A12R-30-10-84 A12R-30-01-84	375
30	17	5	5	10	15	1 0	0 1	A16-30-10-84 A16-30-01-84	102	A16M-30-10-84 A16M-30-01-84	345	A16R-30-10-84 A16R-30-01-84	413
40	28	7.5	10	20	25	1 0	0 1	A26-30-10-84 A26-30-01-84	183	A26M-30-10-84 A26M-30-01-84	405	A26R-30-10-84 A26R-30-01-8	480

### Coil voltage selection

All AC operated catalog numbers include a 120VAC coil. To select other coil voltages, substitute the code from the Coil Voltage Selection Chart for the two digits after the last dash in the catalog number.

Ex.: A 240V coil is required for an A75 contactor: A75-30-11-80

### Auxiliary contact blocks

For additional auxiliary contact blocks, see catalog number explanation on page 1.2. Add \$ 20 to list price for each additional auxiliary, and see page 1.18 for available combinations. Only side-mounted blocks are allowed to be factory installed. If auxiliary contacts are not required for A50 - A300, subtract \$ 40 from list price and change catalog number to "00" instead of "11."

### Mechanical interlock

Mechanically interlocked contactors are designed for reversing, 2 speed, reduced voltage, etc. type starter applications. The complete assembly consists of two mechanically and electrically interlocked contactors mounted as follows with line and load terminals:

- A9 - A16 — mounted on 35mm DIN rail
- A26 - A300 — mounted on common baseplate

Power wiring is not included. The NC electrical interlock is provided with the mechanical interlock for A9 - A110 contactors.

### Coil voltage selection chart

Hz	Cntr type	Volts															
		12	24	48	110	120	125	208	220	240	277	380	415	440	480	500	600
60	A		81	83	84	84		34	36	80	42		86	86	51	53	55
50	A		81	83	84				80			85	86			55	

For other voltages, see page 1.26.

### Reversing

Reversing contactors are designed for reversing type starter applications. The complete assembly consists of two mechanically and electrically interlocked contactors mounted as follows with line and load terminals:

- A9 - A16 — mounted on 35mm DIN rail
- A26 - A300 — mounted on common baseplate

The NC electrical interlock is provided with the mechanical interlock for A9 - A110 contactors.

For more information on  
across the line contactors  
see Section 1.

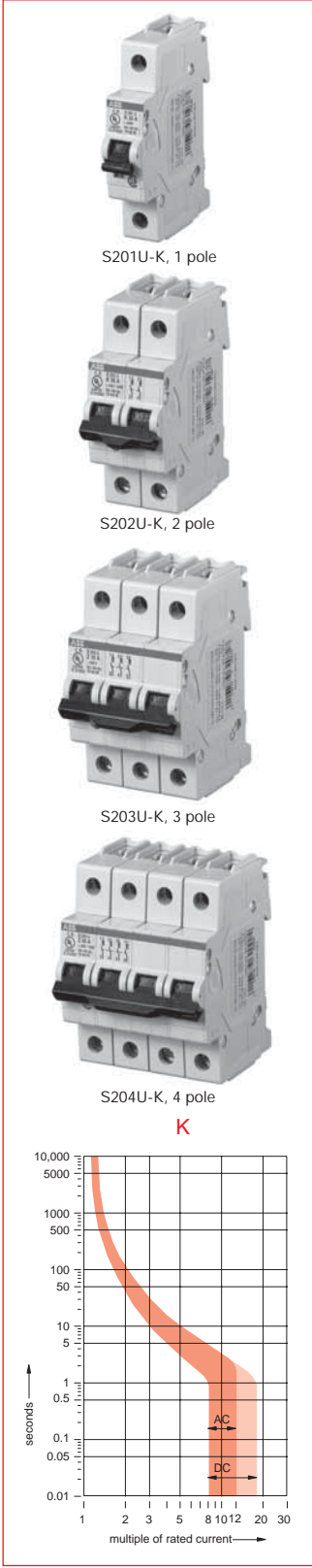


# Applications with other ABB products

## Miniature MCCBs

### S200U, 240 VAC

**K** UL 489 CSA C22.2 - NO. 5  
VDE 0660  
Cable & equipment protection



Rated current	Catalog number	List price	Delivery class	Sugg. order qty	Wgt. oz. (1 pc.)
<b>1 pole</b>					
0.2	S201U-K0.2	\$ 54			
0.3	S201U-K0.3	54			
0.5	S201U-K0.5	54			
0.75	S201U-K0.75	54			
1	S201U-K1	54			
1.6	S201U-K1.6	54			
2	S201U-K2	54			
3	S201U-K3	54			
4	S201U-K4	54			
5	S201U-K5	54			
6	S201U-K6	54			
8	S201U-K8	54			
10	S201U-K10	54	A	10	4.6
13	S201U-K13	54			
15	S201U-K15	54			
16	S201U-K16	54			
20	S201U-K20	54			
25	S201U-K25	56			
30	S201U-K30	58			
32	S201U-K32	58			
40	S201U-K40	64			
50	S201U-K50	70			
60	S201U-K60	80			
63	S201U-K63	80			

Rated current	Catalog number	List price	Delivery class	Sugg. order qty	Wgt. oz. (1 pc.)
<b>2 pole</b>					
0.2	S202U-K0.2	128			
0.3	S202U-K0.3	128			
0.5	S202U-K0.5	128			
0.75	S202U-K0.75	128			
1	S202U-K1	128			
1.6	S202U-K1.6	128			
2	S202U-K2	128			
3	S202U-K3	128			
4	S202U-K4	128			
5	S202U-K5	128			
6	S202U-K6	128			
8	S202U-K8	128			
10	S202U-K10	128	A	5	9.2
13	S202U-K13	128			
15	S202U-K15	128			
16	S202U-K16	128			
20	S202U-K20	128			
25	S202U-K25	130			
30	S202U-K30	134			
32	S202U-K32	134			
40	S202U-K40	134			
50	S202U-K50	162			
60	S202U-K60	182			
63	S202U-K63	182			

Rated current	Catalog number	List price	Delivery class	Sugg. order qty	Wgt. oz. (1 pc.)
<b>3 pole</b>					
0.2	S203U-K0.2	\$ 194			
0.3	S203U-K0.3	194			
0.5	S203U-K0.5	194			
0.75	S203U-K0.75	194			
1	S203U-K1	194			
1.6	S203U-K1.6	194			
2	S203U-K2	194			
3	S203U-K3	194			
4	S203U-K4	194			
5	S203U-K5	194			
6	S203U-K6	194			
8	S203U-K8	194			
10	S203U-K10	194	A	1	13.9
13	S203U-K13	194			
15	S203U-K15	194			
16	S203U-K16	194			
20	S203U-K20	194			
25	S203U-K25	196			
30	S203U-K30	200			
32	S203U-K32	200			
40	S203U-K40	214			
50	S203U-K50	246			
60	S203U-K60	280			
63	S203U-K63	280			

Rated current	Catalog number	List price	Delivery class	Sugg. order qty	Wgt. oz. (1 pc.)
<b>4 pole</b>					
0.2	S204U-K0.2	265			
0.3	S204U-K0.3	265			
0.5	S204U-K0.5	265			
0.75	S204U-K0.75	265			
1	S204U-K1	265			
1.6	S204U-K1.6	265			
2	S204U-K2	265			
3	S204U-K3	265			
4	S204U-K4	265			
5	S204U-K5	265			
6	S204U-K6	265			
8	S204U-K8	265			
10	S204U-K10	265	B	1	18.0
13	S204U-K13	265			
15	S204U-K15	265			
16	S204U-K16	265			
20	S204U-K20	265			
25	S204U-K25	275			
30	S204U-K30	285			
32	S204U-K32	285			
40	S204U-K40	314			
50	S204U-K50	343			
60	S204U-K60	392			
63	S204U-K63	392			

**Delivery Class**  
**A** - Standard item, stock to 2 weeks lead time  
**B** - Stock to 4 weeks lead time  
**C** - 6 to 8 week lead time

*UL489 listed as branch circuit protective device*

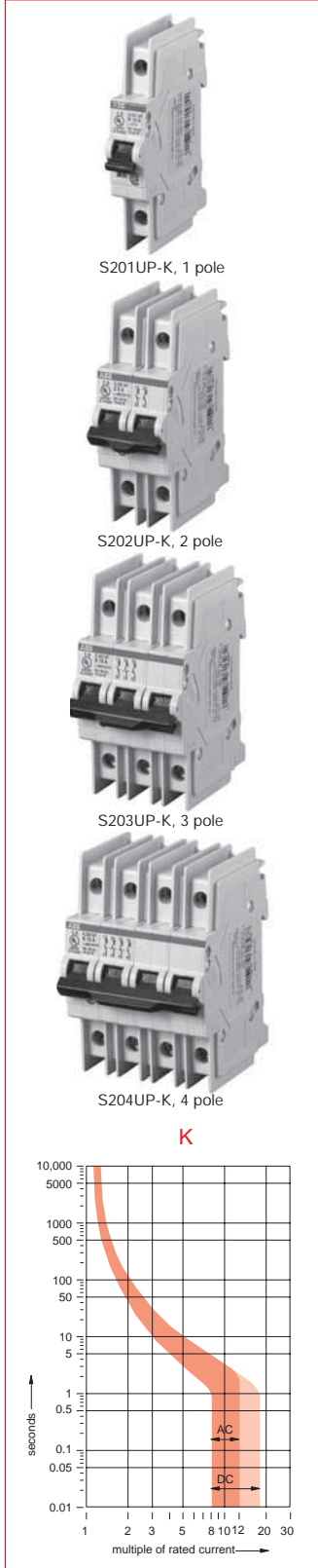
# Applications with other ABB products

## Miniature MCCBs

### S200UP, 480Y/277 VAC



**K** UL 489 CSA C22.2 - NO. 5  
VDE 0660  
Cable & equipment protection



Rated current	Catalog number	List price	Delivery class	Sugg. order qty	Wgt. oz. (1 pc.)
<b>1 pole</b>					
0.2	S201UP-K0.2	\$ 90			
0.3	S201UP-K0.3	90			
0.5	S201UP-K0.5	90			
0.75	S201UP-K0.75	90			
1	S201UP-K1	90			
1.6	S201UP-K1.6	90			
2	S201UP-K2	90			
3	S201UP-K3	90			
4	S201UP-K4	90			
5	S201UP-K5	90			
6	S201UP-K6	90			
8	S201UP-K8	90	A	10	4.6
10	S201UP-K10	90			
13	S201UP-K13	90			
15	S201UP-K15	90			
16	S201UP-K16	90			
20	S201UP-K20	90			
25	S201UP-K25	90			

Rated current	Catalog number	List price	Delivery class	Sugg. order qty	Wgt. oz. (1 pc.)
<b>2 pole</b>					
0.2	S202UP-K0.2	210			
0.3	S202UP-K0.3	210			
0.5	S202UP-K0.5	210			
0.75	S202UP-K0.75	210			
1	S202UP-K1	210			
1.6	S202UP-K1.6	210			
2	S202UP-K2	210			
3	S202UP-K3	210			
4	S202UP-K4	210			
5	S202UP-K5	210			
6	S202UP-K6	210	A	5	9.2
8	S202UP-K8	210			
10	S202UP-K10	210			
13	S202UP-K13	210			
15	S202UP-K15	210			
16	S202UP-K16	210			
20	S202UP-K20	210			
25	S202UP-K25	210			

Rated current	Catalog number	List price	Delivery class	Sugg. order qty	Wgt. oz. (1 pc.)
<b>3 pole</b>					
0.2	S203UP-K0.2	\$ 320			
0.3	S203UP-K0.3	320			
0.5	S203UP-K0.5	320			
0.75	S203UP-K0.75	320			
1	S203UP-K1	320			
1.6	S203UP-K1.6	320			
2	S203UP-K2	320			
3	S203UP-K3	320			
4	S203UP-K4	320			
5	S203UP-K5	320			
6	S203UP-K6	320	A	1	13.9
8	S203UP-K8	320			
10	S203UP-K10	320			
13	S203UP-K13	320			
15	S203UP-K15	320			
16	S203UP-K16	320			
20	S203UP-K20	320			
25	S203UP-K25	320			

Rated current	Catalog number	List price	Delivery class	Sugg. order qty	Wgt. oz. (1 pc.)
<b>4 pole</b>					
0.2	S204UP-K0.2	440			
0.3	S204UP-K0.3	440			
0.5	S204UP-K0.5	440			
0.75	S204UP-K0.75	440			
1	S204UP-K1	440			
1.6	S204UP-K1.6	440			
2	S204UP-K2	440			
3	S204UP-K3	440			
4	S204UP-K4	440			
5	S204UP-K5	440			
6	S204UP-K6	440	B	1	18.0
8	S204UP-K8	440			
10	S204UP-K10	440			
13	S204UP-K13	440			
15	S204UP-K15	440			
16	S204UP-K16	440			
20	S204UP-K20	440			
25	S204UP-K25	440			

**Delivery Class**  
**A** - Standard item, stock to 2 weeks lead time  
**B** - Stock to 4 weeks lead time  
**C** - 6 to 8 week lead time

UL489 listed as branch  
circuit protective device



# Technical data

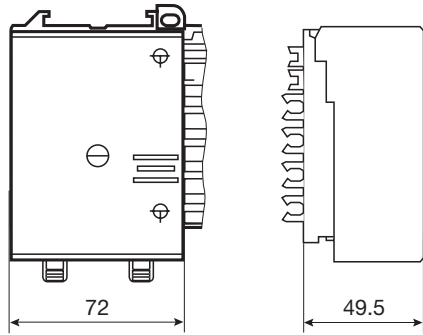
## Approximate dimensions

### Technical data

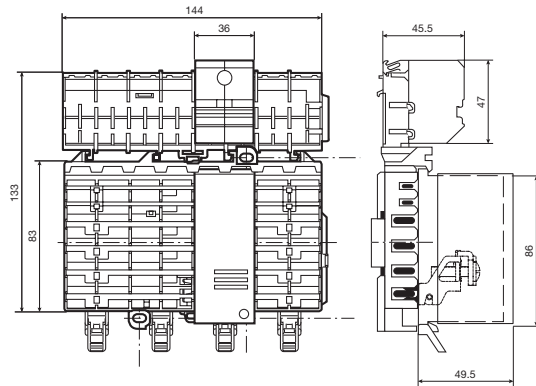
Item		Description
Rated voltage	VAC	600
Rated current	A	100 (end feed); up to 200A (center feed)
Short circuit rating	KAIC	50 when protected by 150A fuse
Approval		UL508 Recognized component
Power feed terminals wire range	AWG	10-1/0 & 8-3/0

### Approximate dimensions

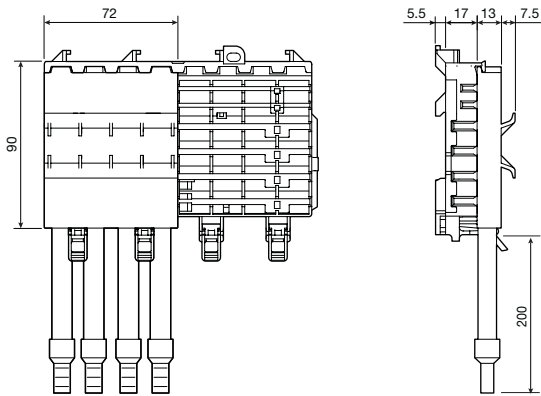
#### ZLS224 – Main power feed terminal



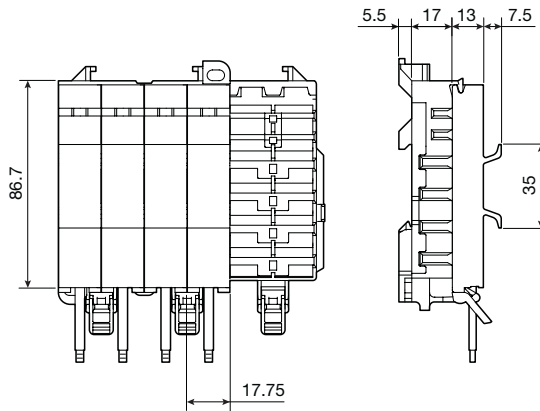
#### Incoming terminal components



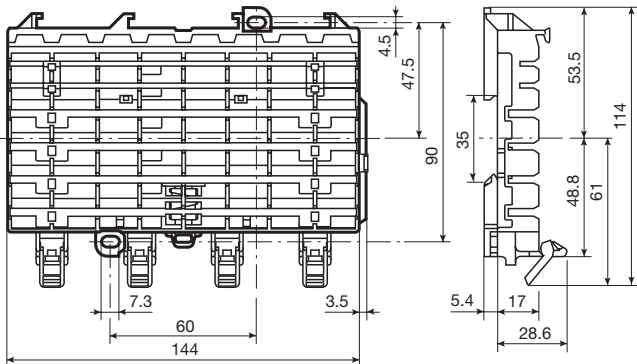
#### Adapter for non-smisline devices, 100A



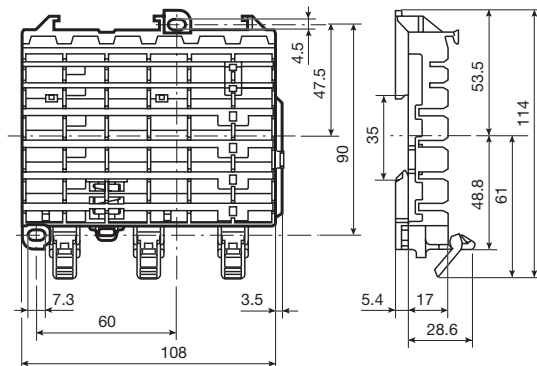
#### Adapter for foreign devices, 30A, 60A



#### ZLS808 – Socket base



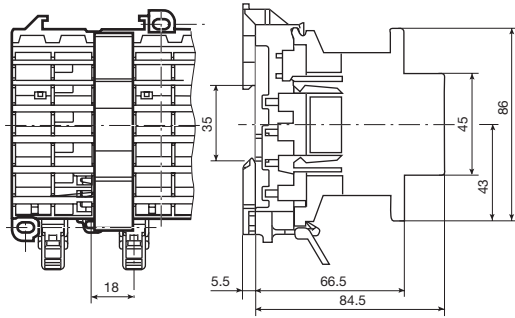
#### ZLS806 – Socket base



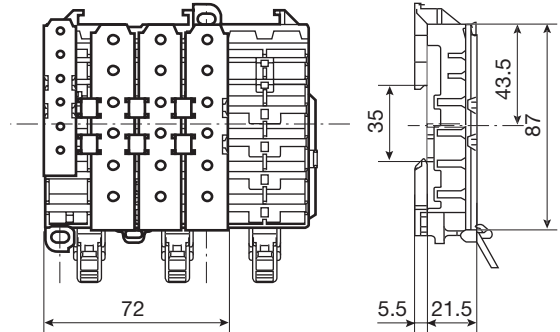
## Approximate dimensions



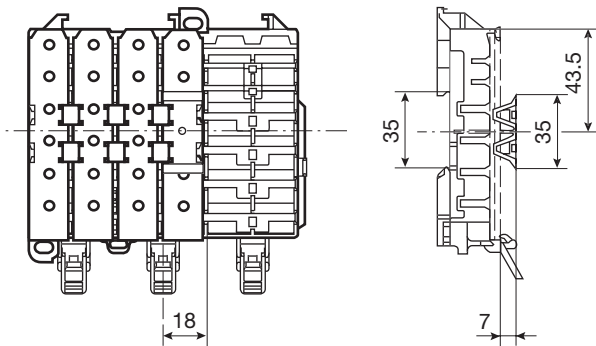
ZLS239 – Busbar isolator



ZLS100 – Bus bar cover



ZLS101 – Extension adapter





## Notes