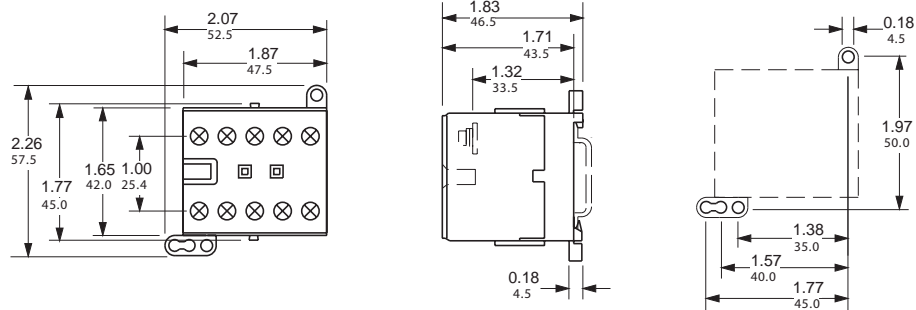


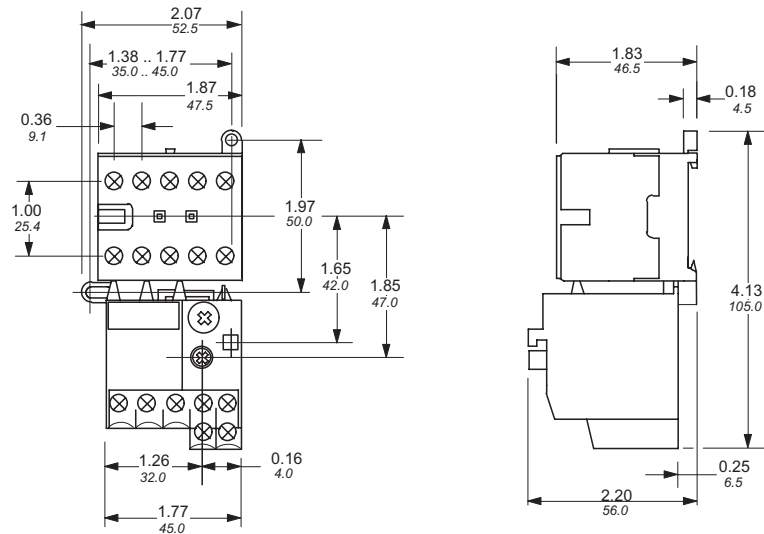
Approximate dimensions Mini contactors & overload relays

00.00 Inches
00.00 [Millimeters]

Mini contactors AC & DC Operated – B6, BC6, B7, BC7



Mini contactor with overload relay B6, B7 & T7DU



E16DU with B/BC6, B/BC7

