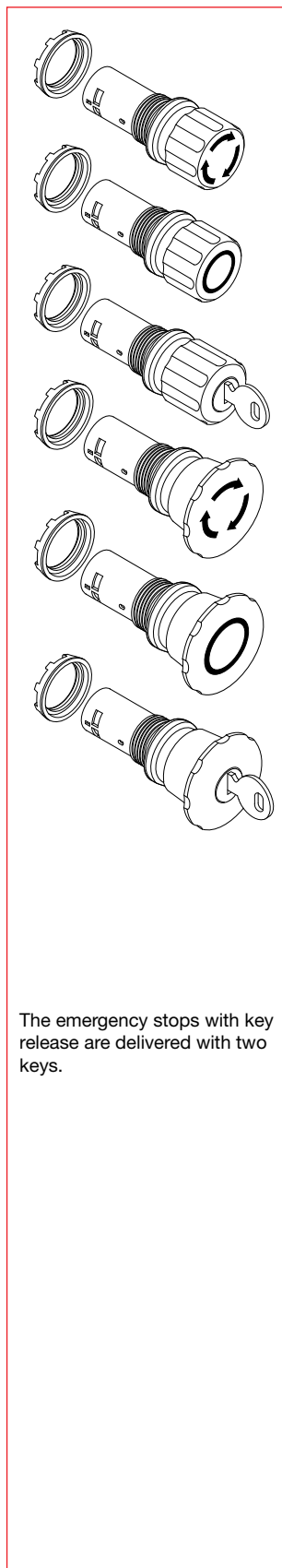


Emergency stop pushbuttons

Non-illuminated

Fulfills IEC 60947-5-5



The emergency stops with key release are delivered with two keys.

Plastic operator

Description	Color	Catalog No.	Ref. Code	List Price
Ø 30 mm				
Twist release	Red			
<u>Contacts included:</u>				
1 NC		CE3T-10R-01	1SFA 619 500 R1041	\$ 28.00
2 NO		CE3T-10R-20	1SFA 619 500 R1021	33.60
2 NC		CE3T-10R-02	1SFA 619 500 R1051	33.60
1 NO +1 NC		CE3T-10R-11	1SFA 619 500 R1071	33.60
Twist release	Black			
<u>Contacts included:</u>				
1 NO + 1 NC		CE3T-10B-11	1SFA 619 500 R1076	33.60
Pull release	Red			
<u>Contacts included:</u>				
2 NC		CE3P-10R-02	1SFA 619 501 R1051	33.60
1 NO +1 NC		CE3P-10R-11	1SFA 619 501 R1071	33.60
Pull release	Black			
<u>Contacts included:</u>				
1 NO +1 NC		CE3P-10B-11	1SFA 619 501 R1076	33.60
Key release (Key code 71, Ronis 455)	Red			
<u>Contacts included:</u>				
2 NC		CE3K1-10R-02	1SFA 619 502 R1051	53.40
1 NO +1 NC		CE3K1-10R-11	1SFA 619 502 R1071	53.40
Key release (Key code 71, Ronis 455)	Black			
<u>Contacts included:</u>				
1 NO +1 NC		CE3K1-10B-11	1SFA 619 502 R1076	53.40
Ø 40 mm				
Twist release	Red			
<u>Contacts included:</u>				
1 NC		CE4T-10R-01	1SFA 619 550 R1041	30.80
2 NO		CE4T-10R-20	1SFA 619 550 R1021	36.40
2 NC		CE4T-10R-02	1SFA 619 550 R1051	36.40
1 NO +1 NC		CE4T-10R-11	1SFA 619 550 R1071	36.40
Twist release	Black			
<u>Contacts included:</u>				
1 NO & 1 NC		CE4T-10B-11	1SFA 619 550 R1076	36.40
Pull release	Red			
<u>Contacts included:</u>				
2 NC		CE4P-10R-02	1SFA 619 551 R1051	36.40
1 NO +1 NC		CE4P-10R-11	1SFA 619 551 R1071	36.40
Pull release	Black			
<u>Contacts included:</u>				
1 NO +1 NC		CE4P-10B-11	1SFA 619 551 R1076	36.40
Key release (Key code 71, Ronis 455)	Red			
<u>Contacts included:</u>				
2 NC		CE4K1-10R-02	1SFA 619 552 R1051	57.50
1 NO +1 NC		CE4K1-10R-11	1SFA 619 552 R1071	57.50
Key release (Key code 71, Ronis 455)	Black			
<u>Contacts included:</u>				
1 NO +1 NC		CE4K1-10B-11	1SFA 619 552 R1076	57.50