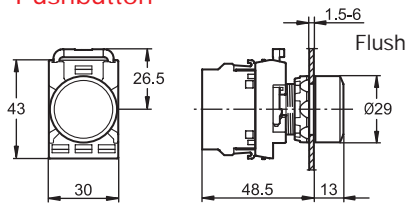


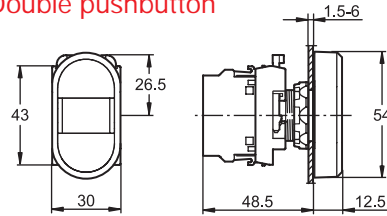
# Approximate dimensions Modular range

All dimensions in MM

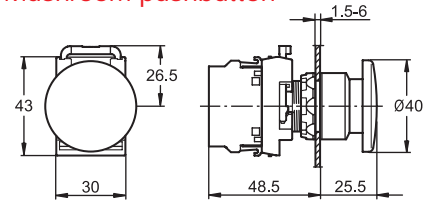
Pushbutton



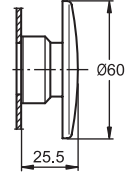
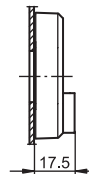
Double pushbutton



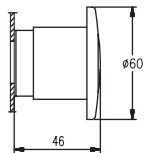
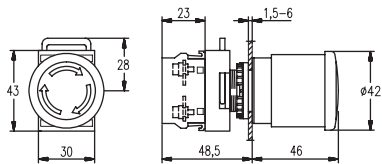
Mushroom pushbutton



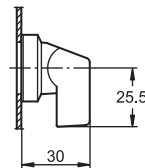
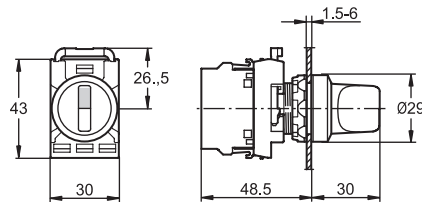
Extended



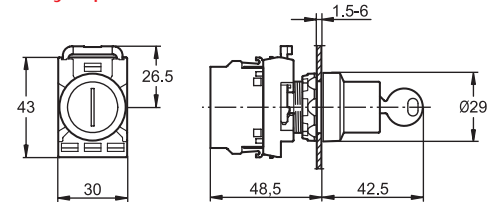
Emergency stop pushbutton



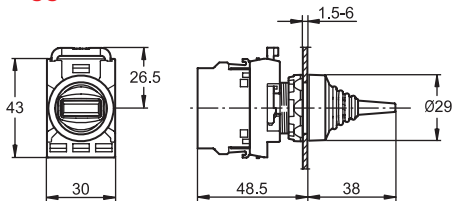
Selector switch



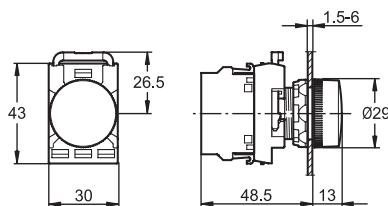
Key-operated selector switch



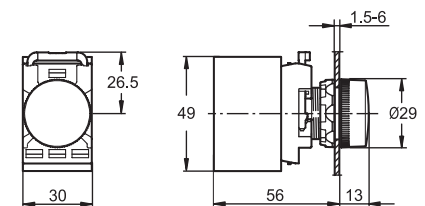
Toggle switch



Pilot light



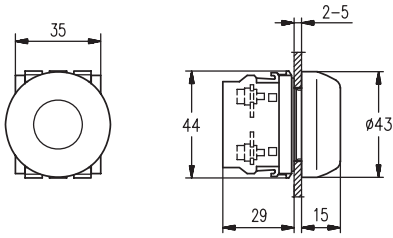
Pilot light with transformer



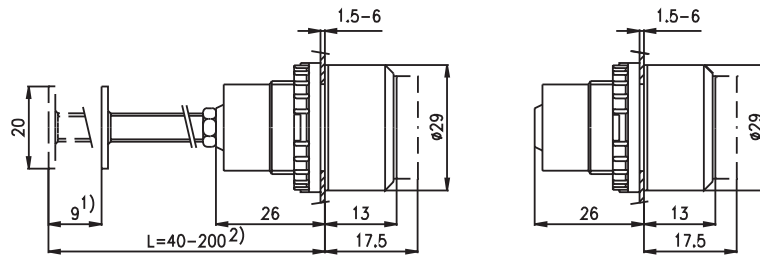
## Approximate dimensions and drilling plans Miscellaneous

All dimensions in MM

### Definite purpose pushbutton

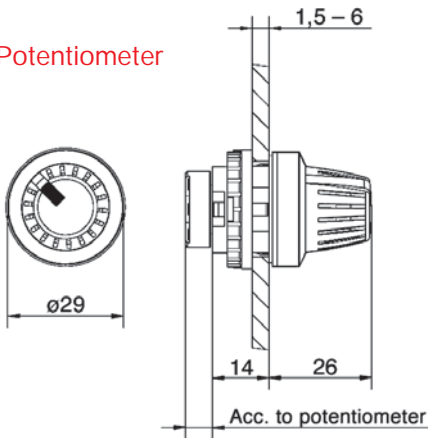


### Reset pushbutton

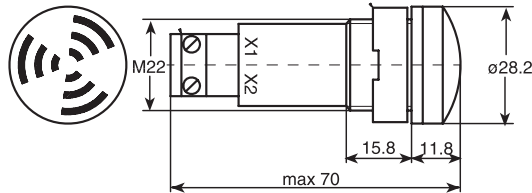


- 1) Length of stroke.
- 2) Can be cut to desired length.

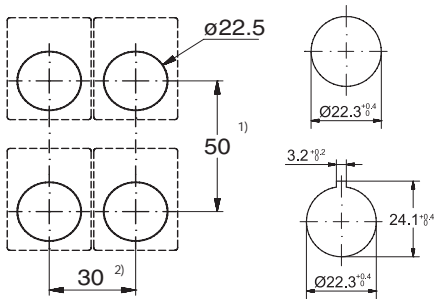
### Potentiometer



### Buzzer

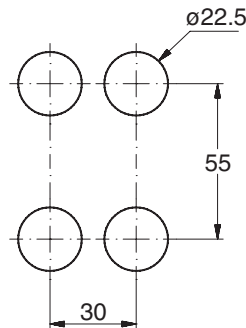


### Drilling plans for pushbuttons, switches and pilot lights

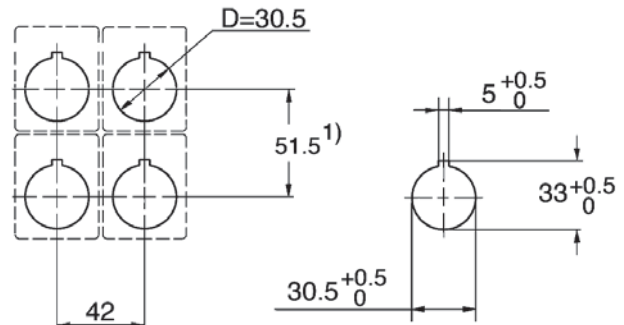


- 1) 55 mm when legend plate H= 44.5 mm is used.  
61 mm for mushroom pushbutton with D=60 mm
- 2) 37 mm when legend plate with insert is used,

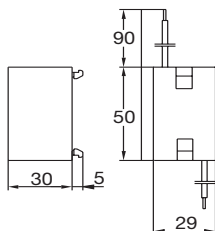
### Drilling plan for double pushbutton



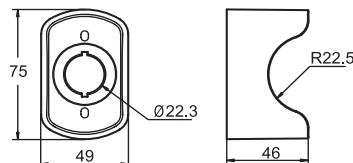
### Drilling plan for 30 mm adaptor



### Transformer block



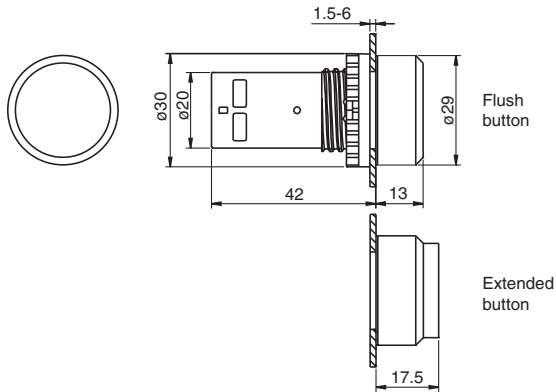
### Emergency stop shroud



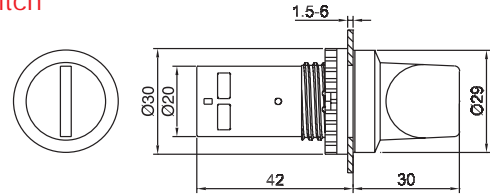
# Approximate dimensions Compact range

All dimensions in MM

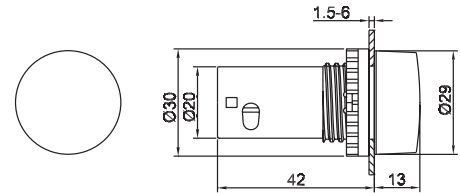
## Pushbutton



## Selector switch

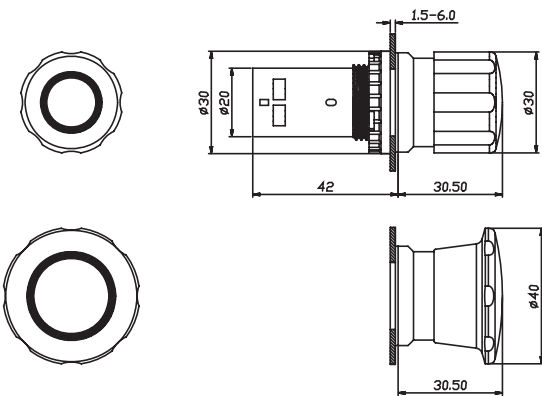


## Pilot light

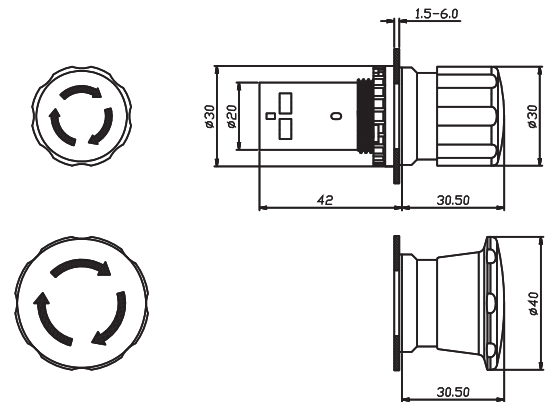


## Emergency stop pushbuttons

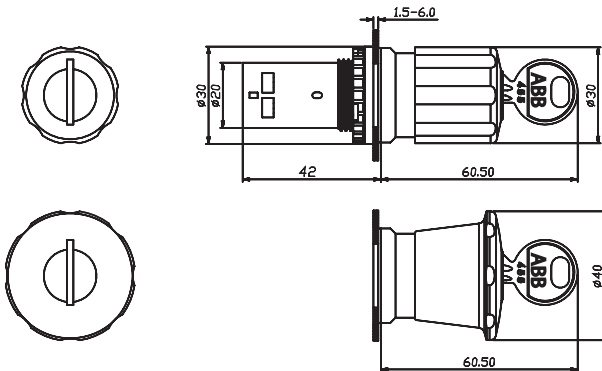
CE3P/CE4P (Pull release)



CE3T/CE4T (Twist release)



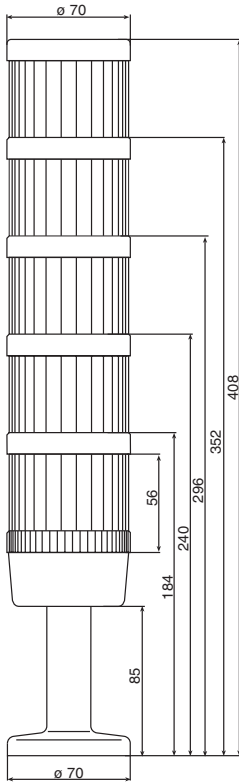
CE3K1/CE4K1



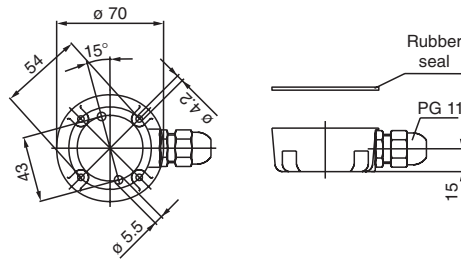
# Approximate dimensions and drilling plans Signal Towers/Signal Beacons

All dimensions in MM

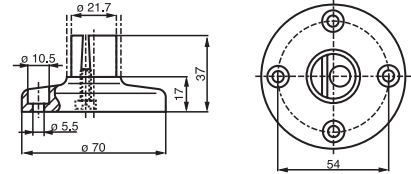
## Signal Towers K 70



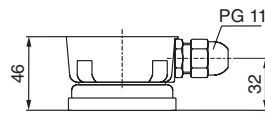
## Contact box for cable exit at side



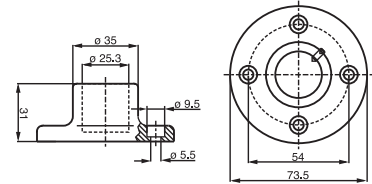
## Base for tube, plastic



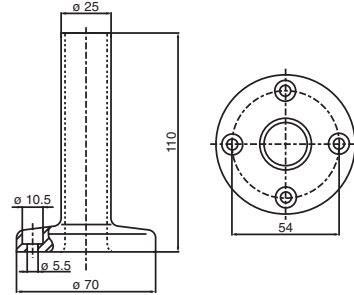
## Contact box with magnetic base



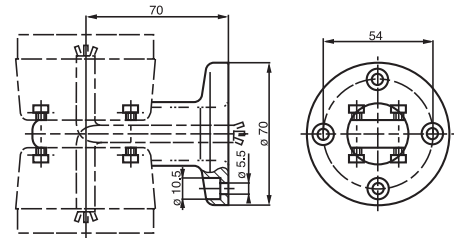
## Base for tube, metal



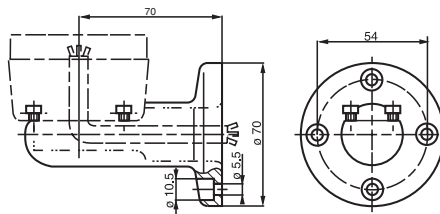
## Base with integrated tube



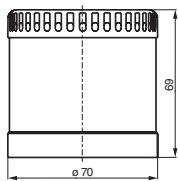
## Bracket 2-sided mounting



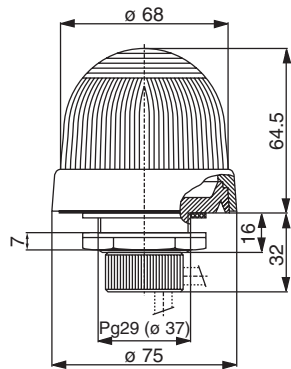
## Bracket 1-sided mounting



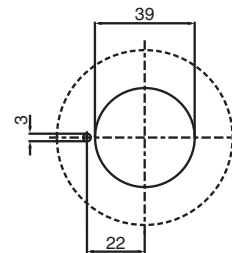
## Audible module



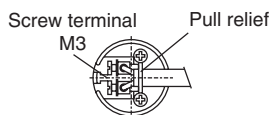
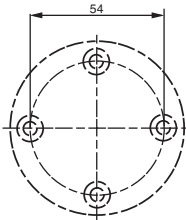
## Signal Beacons K SB



## Drilling plan for Signal Beacons KSB

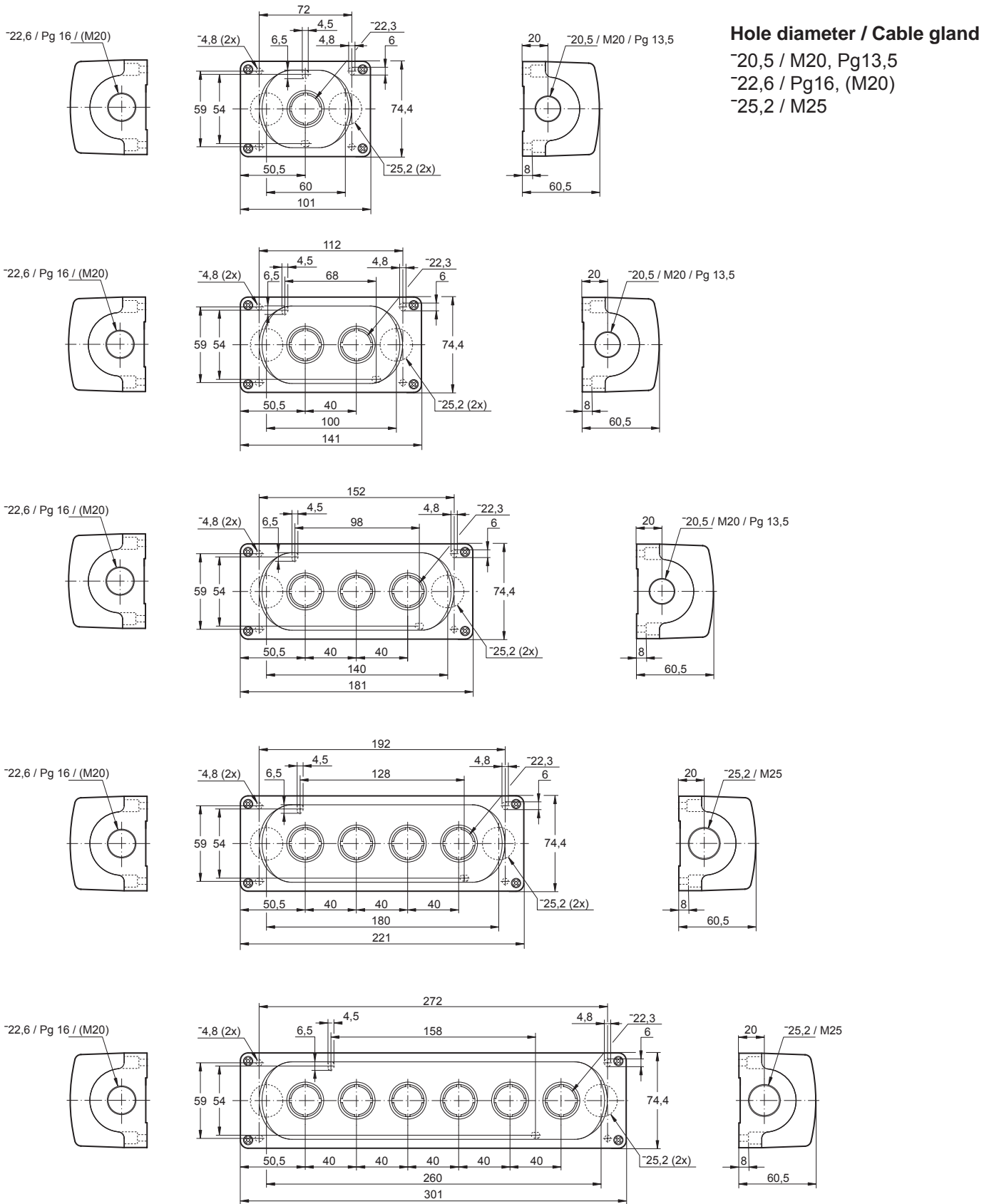


## Drilling plan for Signal Towers K 70



# Approximate dimensions Enclosures

All dimensions in MM



## Color selection

### Color selection according to IEC 60204-1

IEC 60204-1 specifies coding principles for indicators and actuators and gives recommendation regarding the use of colors. An excerpt from the standard is given below. For detailed information, see the standard.

### Meaning of colors – General principles

Color	Meaning		
	Safety of persons or environment	Condition of process	State of equipment
RED	Danger	Emergency	Faulty
YELLOW	Warning/caution	Abnormal	Abnormal
GREEN	Safe	Normal	Normal
8 BLUE	Mandatory significance		
WHITE, GREY, BLACK	No specific meaning assigned		

### Non-illuminated actuators

#### Emergency actuators

EMERGENCY-STOP / OFF actuators shall be identified by the color **RED**

#### STOP / OFF actuators

**WHITE**, **GREY** and **BLACK** are the preferred colors for STOP / OFF actuators, with the main preference being for **BLACK**. **RED** is also permitted. **GREEN** shall not be used.

#### START / ON actuators

**WHITE**, **GREY** and **BLACK** are the preferred colors for START / ON actuators, which cause the closing of switching devices and the equipment to start, with the main preference being for **WHITE**. **GREEN** is also permitted. **RED** shall not be used.

#### Use of **WHITE** and **BLACK** for specific meanings

Where the colors **WHITE** and **BLACK** are used to distinguish between START / ON and STOP / OFF actuators, then the color **WHITE** shall be used for START / ON actuators and the color **BLACK** shall be used for STOP / OFF actuators.

#### The same actuators serving for **START** and **STOP** or **ON** and **OFF**

**WHITE**, **GREY** and **BLACK** are the preferred colors for actuators which, when actuated several times, act alternately as a START / ON and STOP / OFF actuator.

The colors **YELLOW** and **GREEN** shall not be used. The color **RED** shall be used only in cases where the same actuator, other than a push-button, is used for both EMERGENCYSTOP / OFF and normal operation.

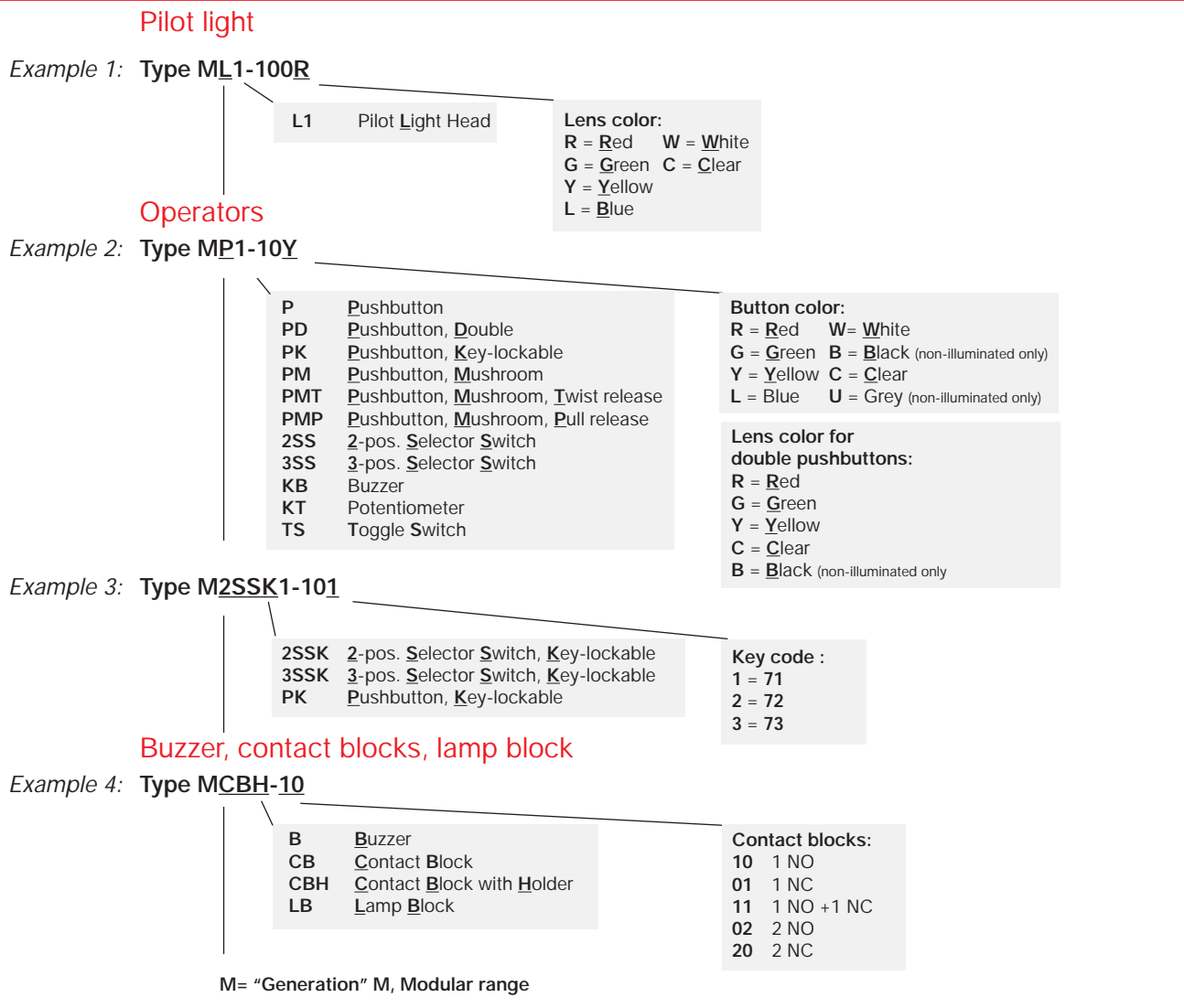
**WHITE**, **GREY** and **BLACK** are preferred colors for actuators which cause a movement while they are actuated and stop the movement when they are released (such as inching or jogging actuators). **GREEN** is also permitted. **RED** shall not be used.

#### RESET actuators

RESET actuators (used, for example, with protective relays) shall be **BLUE**, **WHITE**, **GREY** and **BLACK**, except RESET actuators which also act as STOP / OFF actuators. The color of such STOP / OFF actuators shall be in accordance with **STOP / OFF actuators** above.

# Explanation of type codes

## Modular Pilot Devices



## Compact Pilot Devices

