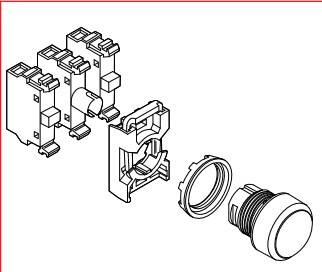


# Press-to-test pilot light pushbuttons

Pilot Devices  
Modular Range  
22mm



MP1-MLFPT1C

## Press-to-test

Type	Black plastic ring	Chrome metal ring	
	Catalog number	Catalog number	List price
<b>Operator only ①</b>	MP1-KLPT★	MP1-MLPT★	\$ 22.50
<b>Full voltage type</b>			
6V	MP1-KLFPT6★	MP1-MLFPT6★	46.00
12V	MP1-KLFPT7★	MP1-MLFPT7★	
24V	MP1-KLFPT8★	MP1-MLFPT8★	
48V	MP1-KLFPT9★	MP1-MLFPT9★	
120V	MP1-KLFPT1★	MP1-MLFPT1★	
<b>Resistor type</b>			
120V	MP1-KLRPT1★	MP1-MLRPT1★	54.00
240V	MP1-KLRPT2★	MP1-MLRPT2★	
<b>Transformer type</b>			
120V/6V	MP1-KLTPT1★	MP1-MLTPT1★	80.00
240V/6V	MP1-KLTPT2★	MP1-MLTPT2★	
380V/6V	MP1-KLTPT3★	MP1-MLTPT3★	
480V/6V	MP1-KLTPT4★	MP1-MLTPT4★	
600V/6V	MP1-KLTPT5★	MP1-MLTPT5★	
120V/24V	MP1-KLTPT6★	MP1-MLTPT6★	80.00
240V/24V	MP1-KLTPT7★	MP1-MLTPT7★	
380V/24V	MP1-KLTPT8★	MP1-MLTPT8★	
480V/24V	MP1-KLTPT9★	MP1-MLTPT9★	

★ Select the lens color from the "Illuminated lenses" selection chart and substitute the suffix code for the ★. The lens and bulb are included in the price.

## Press-to-test (LED bulb)

Type	Black plastic ring	Chrome metal ring	
	Catalog number	Catalog number	List price
<b>Full voltage type</b>			
24V	MP1-KLFPTL8★	MP1-MLFPTL8★	\$ 55.00
120V	MP1-KLFPTL1★	MP1-MLFPTL1★	55.00
230V		MP1-MLFPTL2★	61.00
<b>Transformer type</b>			
120V/24V	MP1-KLTPTL1★	MP1-MLTPTL1★	80.00
240V/24V	MP1-KLTPTL2★	MP1-MLTPTL2★	
380V/24V	MP1-KLTPTL3★	MP1-MLTPTL3★	
480V/24V	MP1-KLTPTL4★	MP1-MLTPTL4★	

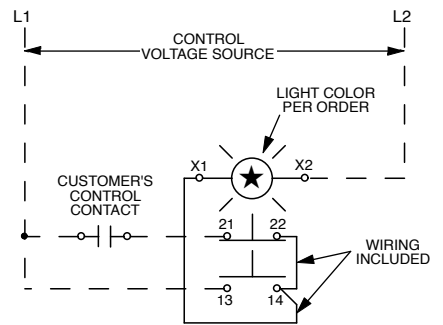
★ Select the lens color from the "Illuminated lenses" selection chart and substitute the suffix code for the ★. The lens and bulb are included in the price.

## ★ Illuminated lenses

Button color	Suffix code
Red	R
Green	G
Yellow	Y
Blue	L
Clear	C
White	W

NOTE: White LEDs use clear lenses.

## Schematic



Press-to-test schematic

① 1 N.O. & 1 N.C. contact supplied; lamp module and bulb must be ordered separately.