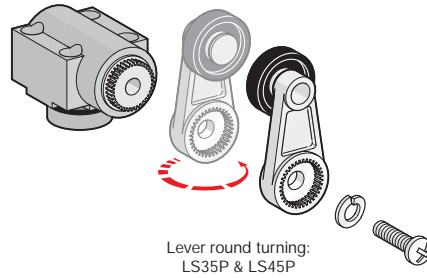


General information

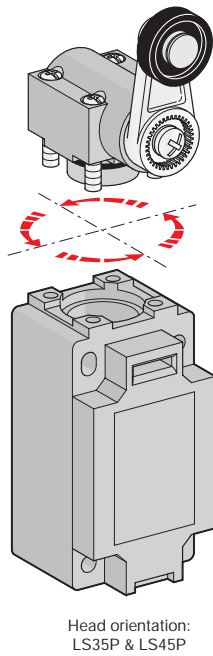
Implementation

30mm & 40mm, IP65, UL Type 4

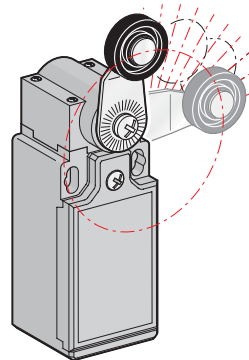
Plastic
Limit switches



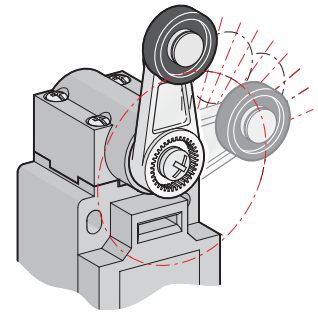
Lever round turning:
LS35P & LS45P



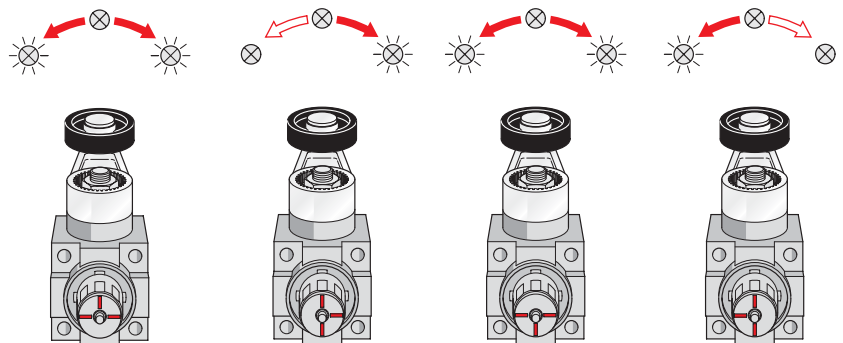
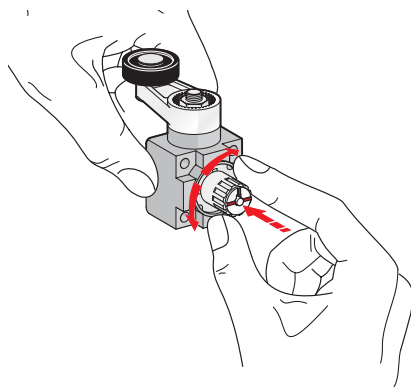
Head orientation:
LS35P & LS45P



Free position adjustment
10 in 10° of lever:
LS35P



Free position adjustment
9 in 9° of lever:
LS45P



Operating mode selection only, LS45P