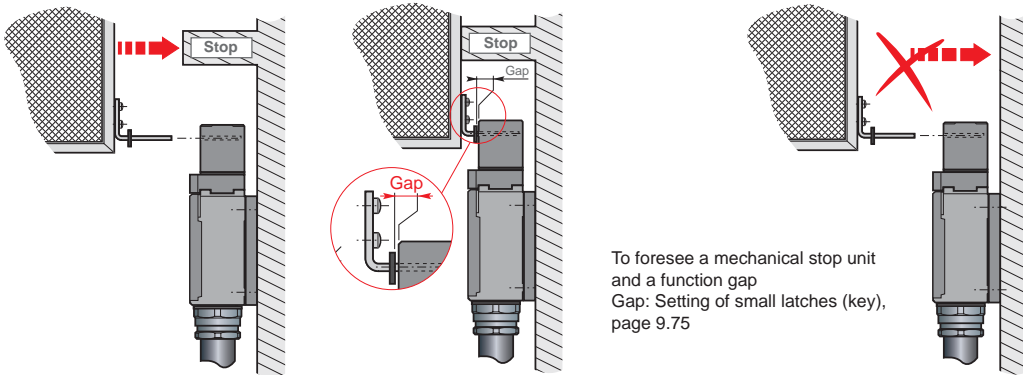


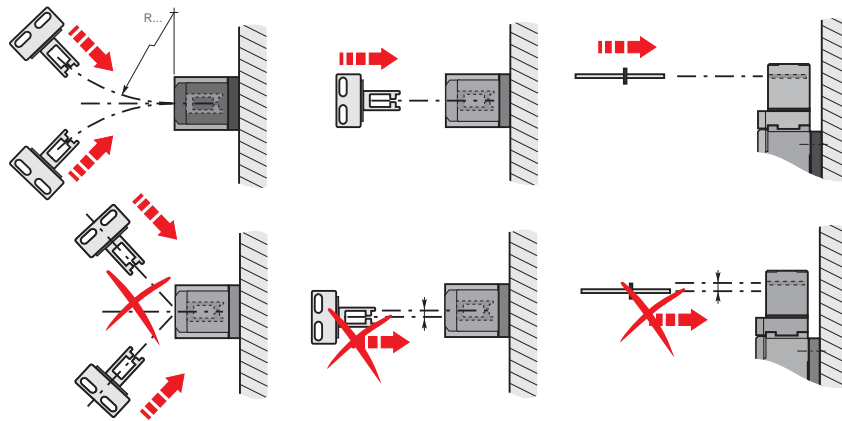
Rotative axis safety limit switches

Technical data

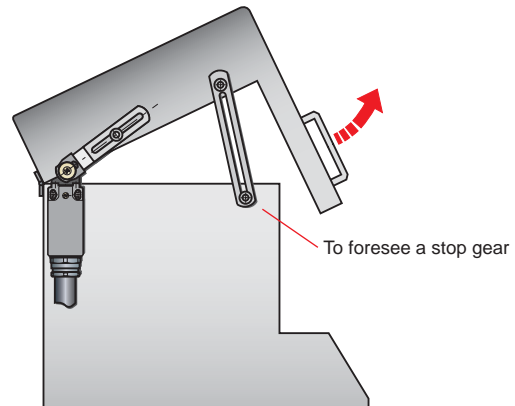
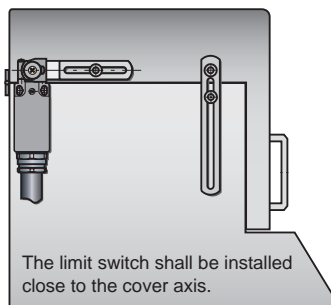
Utilization cautions



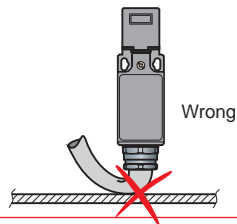
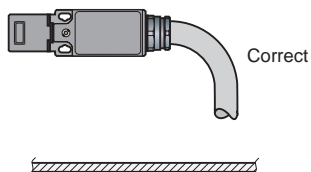
The small latch (key) shall be presented in the axis of the control head.



9



Curve of connecting cable



Cable gland orientation

